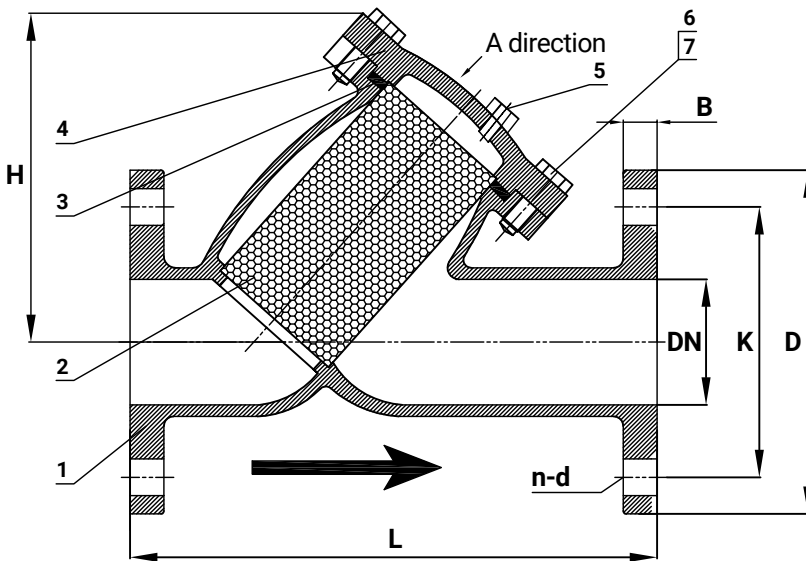


4" Ductile Iron Y Strainer

Flanged, SS304 Screen

Ductile iron flanged Y-strainer with epoxy coating and stainless steel screen, nuts, and bolts.



| | |
|----------------------------|--------------------|
| Size | 4" |
| Connections | Flanged / ANSI 125 |
| Pressure Rating | 200 PSI |
| Temperature Rating | -4° to 180° F |
| Length (End to End) | 13.9" |
| Weight | 58 lbs |

Features

- Ductile Iron Body & Cover
- Fusion-Bonded Epoxy Coating Inside & Outside
- Flanges Conform to ANSI B16.1

Dimensions

| Size | DN ^{±1.5} | L ^{±3} | D ^{±3} | K ^{±1.5} | B ^{±2.5} | n-d ^{±1.5} | H ^{±20} |
|------|--------------------|--------------------------------|-----------------|--------------------------------|-------------------|--------------------------------------|--------------------------------------|
| in. | mm | in. | mm | in. | mm | mm (in.) | in. |
| 2" | 50 | 8 ⁷ / ₈ | 225 | 6 | 152 | 4 ³ / ₄ 120.5 | 5 ⁷ / ₁₆ 135 |
| 3" | 80 | 11 ¹ / ₂ | 292 | 7 ¹ / ₂ | 191 | 6 152.5 | 6 ³ / ₄ 172 |
| 4" | 100 | 13 ⁷ / ₈ | 352 | 9 | 229 | 7 ¹ / ₂ 190.5 | 8 ¹ / ₈ 207 |
| 6" | 150 | 18 ¹ / ₂ | 470 | 11 | 279 | 9 ¹ / ₂ 241.5 | 11 279 |
| 8" | 200 | 21 ³ / ₈ | 543 | 13 ¹ / ₂ | 343 | 11 ¹ / ₄ 298.5 | 13 ³ / ₄ 350 |
| 10" | 250 | 26 | 660 | 16 | 406 | 14 ¹ / ₄ 362 | 17 ¹ / ₁₆ 436 |
| 12" | 300 | 30 | 762 | 19 | 483 | 17 432 | 19 ¹⁵ / ₁₆ 506 |

Materials List

| No. | Part Name | Material |
|-----|--------------|---------------|
| 1 | Body | Ductile Iron |
| 2 | Screen | SS304 |
| 3 | Cover Gasket | EPDM |
| 4 | Cover | Ductile Iron |
| 5 | Plug | A2-70 (SS304) |
| 6 | Bolt & Nut | A2-70 (SS304) |
| 7 | Washer | A2-70 (SS304) |