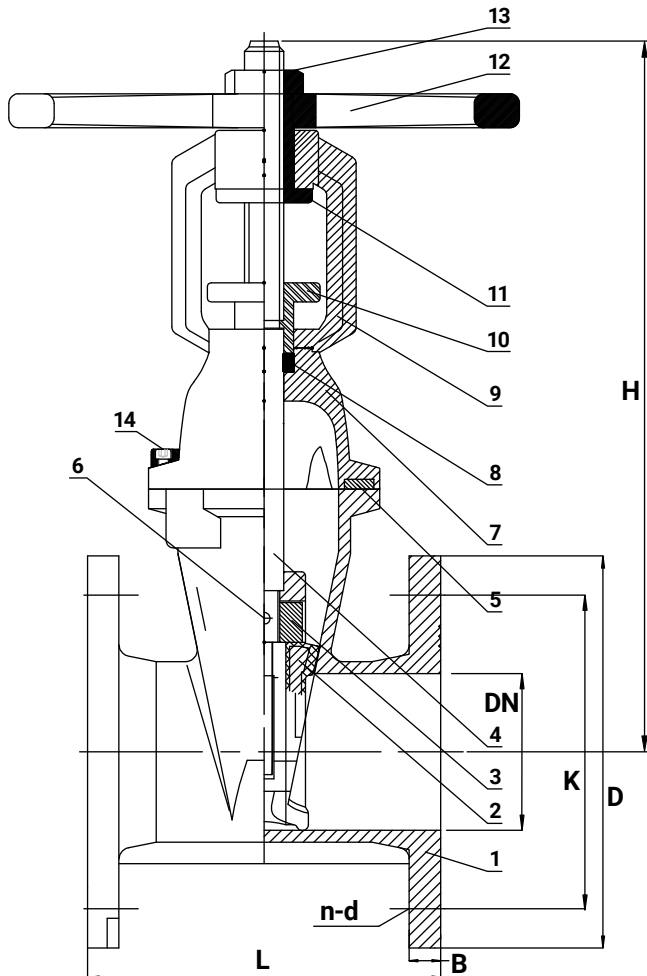


## 6" Ductile Iron Gate Valve

### Resilient Seated, Rising Stem

Ductile iron gate valve with epoxy coating and EPDM covered ductile iron wedge for positive seating and resistance to high differential pressure.



### Dimensions

Size	DN	L	D	K	B	n-d	H
in.	mm	in.	mm	in.	mm	in.	mm
2"	50	7 178	6 152	4 <sup>3</sup> / <sub>4</sub> 120.5	5 <sup>1</sup> / <sub>8</sub> 16	4-19 (3/4)	10 <sup>1</sup> / <sub>16</sub> 255
3"	80	8 203	7 <sup>1</sup> / <sub>2</sub> 191	6 152.5	5 <sup>1</sup> / <sub>8</sub> 19	4-19 (3/4)	13 <sup>9</sup> / <sub>16</sub> 345
4"	100	9 229	9 229	7 <sup>1</sup> / <sub>2</sub> 190.5	15 <sup>1</sup> / <sub>16</sub> 24	8-19 (3/4)	16 <sup>9</sup> / <sub>16</sub> 420
6"	150	10 <sup>1</sup> / <sub>2</sub> 267	11 279	9 <sup>1</sup> / <sub>2</sub> 241.5	1 26	8-22 (7/8)	20 <sup>1</sup> / <sub>16</sub> 510
8"	200	11 <sup>1</sup> / <sub>2</sub> 292	13 <sup>1</sup> / <sub>2</sub> 343	11 <sup>1</sup> / <sub>4</sub> 298.5	1 <sup>1</sup> / <sub>8</sub> 28	8-22 (7/8)	27 <sup>15</sup> / <sub>16</sub> 710
10"	250	13 330	16 406	14 <sup>1</sup> / <sub>4</sub> 362.5	1 <sup>3</sup> / <sub>16</sub> 30	12-25 (1)	31 <sup>5</sup> / <sub>16</sub> 795
12"	300	14 356	19 483	17 432	1 <sup>1</sup> / <sub>4</sub> 32	12-25 (1)	37 <sup>3</sup> / <sub>8</sub> 950

<b>Size</b>	6"
<b>Design Standard</b>	AWWA C515
<b>Stem</b>	Rising Stem
<b>Operator</b>	Handwheel
<b>Connections</b>	Flanges / ANSI 125
<b>Pressure Rating</b>	250 PSI
<b>Temperature Rating</b>	-4° to 212° F
<b>Length (End to End)</b>	10.5"
<b>Weight</b>	102 lbs

### Features

- Rising Stem
- Resilient Wedge
- Fusion Bonded Epoxy Coated Interior and Exterior to AWWA C550 Standard
- Flanges Conform to ANSI B16.1

### Materials List

No.	Part Name	Material
1	Body	GGG50
2	Disc	GGG50+EPDM
3	Stem Nut	Brass
4	Stem	2CR13
5	Gasket	EPDM
6	Pin	Carbon Steel
7	Bonnet	GGG50
8	Packing	Polyurethane
9	Yoke	GGG50
10	Pressing Plate	GGG50
11	Nut	GGG50
12	Handwheel	GGG50
13	Locking Nut	Carbon Steel
14	Bolts	Carbon Steel