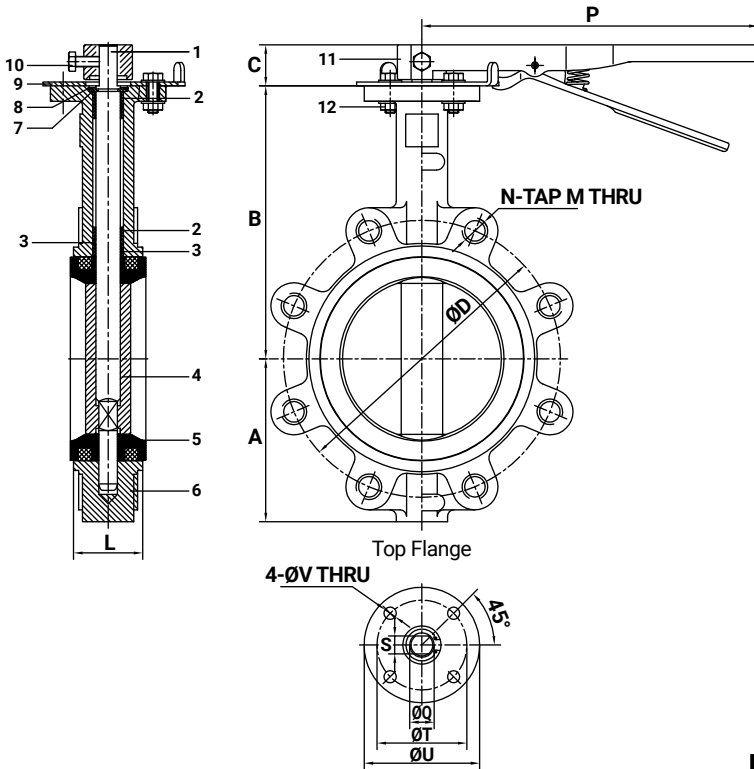


10" Cast Iron Butterfly Valve | Lug Style EPDM Seat, Lever Operated

Cast iron lug style butterfly valve with nickel plated ductile iron disc and EPDM seat.



| | |
|----------------------------|-------------------|
| Size | 10" |
| Body Material | Cast Iron |
| Body Design | Lug Type |
| Operation | Lever |
| Connections | Flange / ANSI 125 |
| Pressure Rating | 150 PSI |
| Length (End to End) | 2.6" |
| Weight | 64 lbs |

Features

- Lever handle can lock in 10 positions for throttle control
- Fusion-Bonded Epoxy Coating
- Does not require flange gaskets thanks to EPDM seat

Materials List

| No. | Part Name | Material | No. | Part Name | Material |
|-----|-----------|--------------|-----|---------------|-----------------|
| 1 | Stem | SS416 | 7 | Thrust Washer | Carbon Steel |
| 2 | Bushing | PTFE | 8 | Circlip | Carbon Steel |
| 3 | O-Ring | EPDM | 9 | Locking Plate | SS420 |
| 4 | Disc | Ductile Iron | 10 | Locking Screw | Stainless Steel |
| 5 | Seat | EPDM | 11 | Lever | Malleable CI |
| 6 | Body | Cast Iron | 12 | Bolt & Nut | Stainless Steel |

Dimensions

| Size | A | | B | | C | | Class150 | | L | | P | | ØQ | | S | | ØT | | ØU | | ØV | | | |
|------|---------------------------------|-----|--------------------------------|-----|-------------------------------|----|--------------------------------|-------|-------------|-----|--------------------------------|-----|---------------------------------|-----|-------------------------------|-------|--------------------------------|-----|-------------------------------|-----|---------------------------------|-----|------|------|
| | in. | mm | in. | mm | in. | mm | ØD (in./mm) | M | N | in. | mm | in. | mm | in. | mm | in. | mm | in. | mm | in. | mm | in. | mm | |
| 2" | 3 | 76 | 6 ⁵ / ₁₆ | 162 | 1 ¹ / ₄ | 32 | 4 ³ / ₄ | 120.7 | 5/8"-11 UNC | 4 | 1 ¹ / ₈ | 42 | 10 ¹ / ₁₆ | 255 | 1/2 | 12.7 | 3/8 | 10 | 2 ³ / ₄ | 70 | 3 ³ / ₁₆ | 90 | 3/8 | 9.5 |
| 3" | 3 ³ / ₄ | 95 | 7 ¹ / ₈ | 181 | 1 ¹ / ₄ | 32 | 6 | 152.4 | 5/8"-11 UNC | 4 | 1 ¹ / ₄ | 45 | 10 ¹ / ₁₆ | 255 | 1/2 | 12.7 | 3/8 | 10 | 2 ³ / ₄ | 70 | 3 ³ / ₁₆ | 90 | 3/8 | 9.5 |
| 4" | 4 ¹ / ₂ | 114 | 7 ⁷ / ₈ | 200 | 1 ¹ / ₄ | 32 | 7 ¹ / ₂ | 190.5 | 5/8"-11 UNC | 8 | 2 ¹ / ₁₆ | 52 | 10 ¹ / ₁₆ | 255 | 3/8 | 15.88 | 1/2 | 12 | 2 ³ / ₄ | 70 | 3 ³ / ₁₆ | 90 | 3/8 | 9.5 |
| 6" | 5 ¹ / ₂ | 139 | 8 ⁷ / ₈ | 225 | 1 ¹ / ₄ | 32 | 9 ¹ / ₂ | 241.3 | 3/4"-10 UNC | 8 | 2 ¹ / ₁₆ | 56 | 10 ¹ / ₁₆ | 255 | 3/4 | 19.05 | 9/16 | 14 | 2 ³ / ₄ | 70 | 3 ³ / ₁₆ | 90 | 3/8 | 9.5 |
| 8" | 6 ¹⁵ / ₁₆ | 177 | 10 ¹ / ₄ | 260 | 1 ¹ / ₂ | 38 | 11 ¹ / ₄ | 298.5 | 3/4"-10 UNC | 8 | 2 ³ / ₁₆ | 60 | 14 | 355 | 7/8 | 22.23 | 1 ¹ / ₁₆ | 17 | 4 | 102 | 4 ¹⁵ / ₁₆ | 125 | 7/16 | 11.5 |
| 10" | 8 | 203 | 11 ¹ / ₂ | 292 | 1 ¹ / ₂ | 38 | 14 ¹ / ₄ | 362 | 7/8"-9 UNC | 12 | 2 ³ / ₁₆ | 66 | 14 | 355 | 1 ¹ / ₈ | 28.58 | 7/8 | 22 | 4 | 102 | 4 ¹⁵ / ₁₆ | 125 | 7/16 | 11.5 |
| 12" | 9 ¹ / ₂ | 242 | 13 ¹ / ₄ | 337 | 1 ¹ / ₂ | 38 | 17 | 431.8 | 7/8"-9 UNC | 12 | 3 ¹ / ₁₆ | 77 | 14 | 355 | 1 ¹ / ₄ | 31.75 | 1 ¹ / ₁₆ | 24 | 4 | 102 | 4 ¹⁵ / ₁₆ | 125 | 7/16 | 11.5 |