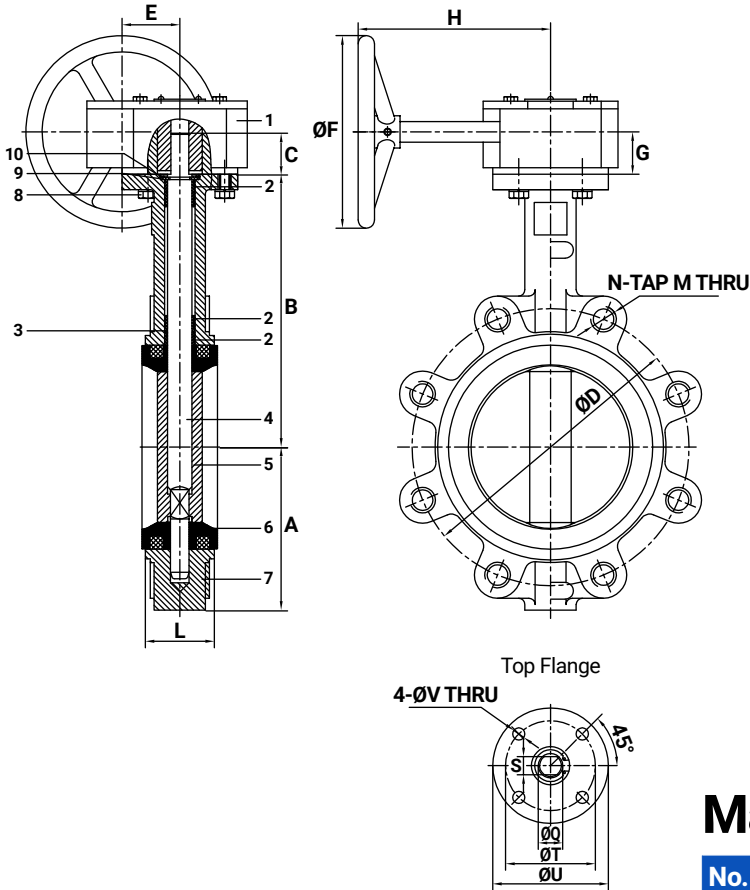


10" Cast Iron Butterfly Valve | Lug Style EPDM Seat, Gear Operated

Cast iron lug style butterfly valve with nickel plated ductile iron disc and EPDM seat.



| | |
|----------------------------|-------------------|
| Size | 10" |
| Body Material | Cast Iron |
| Body Design | Lug Type |
| Operation | Gearbox |
| Connections | Flange / ANSI 125 |
| Pressure Rating | 225 PSI |
| Temperature Rating | -4° to 194° F |
| Length (End to End) | 2.6" |
| Weight | 82 lbs |

Features

- Gearbox operator is self-locking in any position for throttle control
- Fusion-Bonded Epoxy Coating
- Does not require flange gaskets thanks to EPDM seat

Materials List

| No. | Part Name | Material | No. | Part Name | Material |
|-----|---------------|----------------------|-----|-------------|-----------------|
| 1 | Gear Operator | DI, Carbon Steel, CI | 6 | Seat | EPDM |
| 2 | Bushing | PTFE | 7 | Body | Cast Iron |
| 3 | O-Ring | EPDM | 8 | Bolt | Stainless Steel |
| 4 | Stem | SS416 | 9 | Thrust Clip | Carbon Steel |
| 5 | Disc | Ductile Iron | 10 | Circlip | Carbon Steel |

Dimensions

| Size | A | B | C | Class 150 | | E | ØF | G | H | ØQ | L | S | ØT | ØU | ØV | | | | | | | | | | | | | | | |
|------|-------------------------------|-----|--------------------------------|-----------|-------------------------------|----|--------------------------------|-----|--|----|--------------------------------|----|----------------------------------|-----|--------------------------------|----|--------------------------------|-----|-------------------------------|-------|--------------------------------|----|--------------------------------|----|-------------------------------|-----|--------------------------------|-----|--------------------------------|------|
| in. | in. | mm | in. | mm | in. | mm | in. | mm | in. | mm | in. | mm | in. | mm | in. | mm | | | | | | | | | | | | | | |
| 2" | 3 | 76 | 6 ³ / ₁₆ | 162 | 1 ¹ / ₄ | 32 | 4 ³ / ₄ | 121 | 5 ⁷ / ₈ "-10 UNC | 4 | 1 ¹ / ₄ | 44 | 5 ⁵ / ₁₆ | 135 | 1 ¹ / ₈ | 28 | 5 ¹ / ₂ | 139 | 1 ¹ / ₂ | 12.7 | 1 ¹ / ₈ | 42 | 3 ³ / ₁₆ | 10 | 2 ³ / ₄ | 70 | 3 ³ / ₁₆ | 90 | 3 ³ / ₈ | 9.5 |
| 3" | 3 ³ / ₄ | 95 | 7 ¹ / ₁₆ | 181 | 1 ¹ / ₄ | 32 | 6 | 152 | 5 ⁷ / ₈ "-10 UNC | 4 | 1 ¹ / ₄ | 44 | 5 ⁵ / ₁₆ | 135 | 1 ¹ / ₈ | 28 | 5 ¹ / ₂ | 139 | 1 ¹ / ₂ | 12.7 | 1 ¹ / ₄ | 45 | 3 ³ / ₁₆ | 10 | 2 ³ / ₄ | 70 | 3 ³ / ₁₆ | 90 | 3 ³ / ₈ | 9.5 |
| 4" | 4 ¹ / ₂ | 114 | 7 ⁷ / ₁₆ | 200 | 1 ¹ / ₄ | 32 | 7 ¹ / ₂ | 191 | 5 ⁷ / ₈ "-10 UNC | 8 | 1 ¹ / ₄ | 44 | 5 ⁵ / ₁₆ | 135 | 1 ¹ / ₈ | 28 | 5 ¹ / ₂ | 139 | 5 ¹ / ₈ | 15.88 | 2 ¹ / ₁₆ | 52 | 1 ¹ / ₂ | 12 | 2 ³ / ₄ | 70 | 3 ³ / ₁₆ | 90 | 3 ³ / ₈ | 9.5 |
| 6" | 5 ¹ / ₂ | 139 | 8 ⁷ / ₁₆ | 225 | 1 ¹ / ₄ | 32 | 9 ¹ / ₂ | 241 | 3 ⁴ / ₄ "-10 UNC | 8 | 1 ¹ / ₄ | 44 | 5 ⁵ / ₁₆ | 135 | 1 ¹ / ₈ | 28 | 5 ¹ / ₂ | 139 | 3 ⁴ / ₈ | 19.05 | 2 ¹ / ₁₆ | 56 | 3 ¹ / ₁₆ | 14 | 2 ³ / ₄ | 70 | 3 ³ / ₁₆ | 90 | 3 ³ / ₈ | 9.5 |
| 8" | 7 | 177 | 10 ¹ / ₄ | 260 | 1 ¹ / ₂ | 38 | 11 ¹ / ₄ | 298 | 3 ⁴ / ₄ "-10 UNC | 8 | 2 ¹ / ₁₆ | 62 | 10 ¹³ / ₁₆ | 275 | 1 ¹ / ₁₆ | 40 | 8 ¹ / ₁₆ | 211 | 7 ¹ / ₈ | 22.23 | 2 ³ / ₁₆ | 60 | 1 ¹ / ₁₆ | 17 | 4 | 102 | 4 ¹ / ₁₆ | 125 | 7 ¹ / ₁₆ | 11.5 |
| 10" | 8 | 203 | 11 ¹ / ₂ | 292 | 1 ¹ / ₂ | 38 | 14 ¹ / ₄ | 362 | 7 ⁸ / ₁₆ "-9 UNC | 12 | 2 ¹ / ₁₆ | 62 | 10 ¹³ / ₁₆ | 275 | 1 ¹ / ₁₆ | 40 | 8 ¹ / ₁₆ | 211 | 1 ¹ / ₈ | 28.58 | 2 ³ / ₁₆ | 66 | 7 ¹ / ₈ | 22 | 4 | 102 | 4 ¹ / ₁₆ | 125 | 7 ¹ / ₁₆ | 11.5 |
| 12" | 9 ¹ / ₂ | 242 | 13 ¹ / ₄ | 337 | 1 ¹ / ₂ | 38 | 17 | 432 | 7 ⁸ / ₁₆ "-9 UNC | 12 | 3 ¹ / ₁₆ | 78 | 10 ¹³ / ₁₆ | 275 | 1 ¹ / ₁₆ | 40 | 8 ¹ / ₁₆ | 220 | 1 ¹ / ₄ | 31.75 | 3 ¹ / ₁₆ | 77 | 1 ¹ / ₁₆ | 24 | 4 | 102 | 4 ¹ / ₁₆ | 125 | 7 ¹ / ₁₆ | 11.5 |