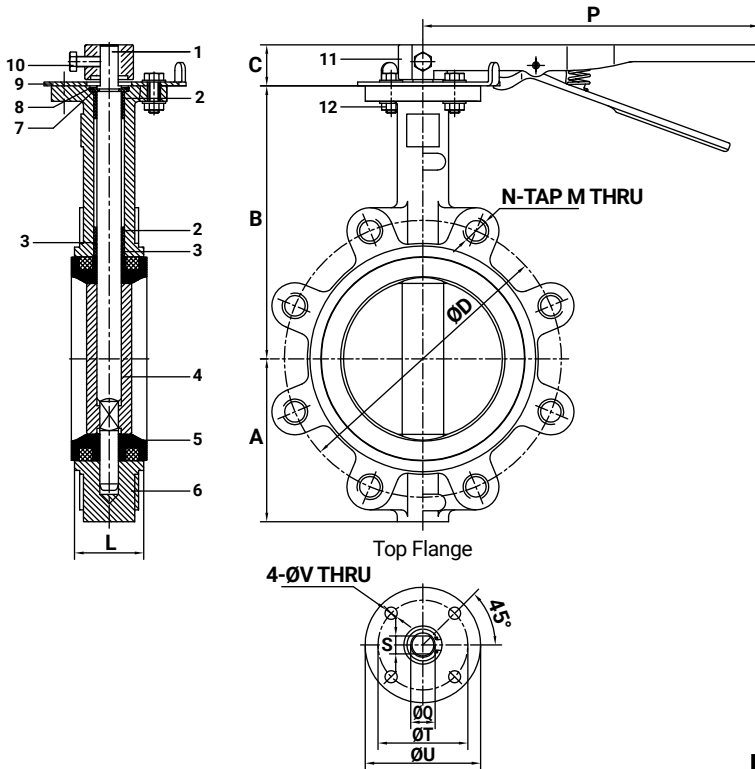


6" Cast Iron Butterfly Valve | Lug Style EPDM Seat, Lever Operated

Cast iron lug style butterfly valve with nickel plated ductile iron disc and EPDM seat.



Size	6"
Body Material	Cast Iron
Body Design	Lug Type
Operation	Lever
Connections	Flange / ANSI 125
Pressure Rating	150 PSI
Length (End to End)	2.2"
Weight	26 lbs

Features

- Lever handle can lock in 10 positions for throttle control
- Fusion-Bonded Epoxy Coating
- Does not require flange gaskets thanks to EPDM seat

Materials List

No.	Part Name	Material	No.	Part Name	Material
1	Stem	SS416	7	Thrust Washer	Carbon Steel
2	Bushing	PTFE	8	Circlip	Carbon Steel
3	O-Ring	EPDM	9	Locking Plate	SS420
4	Disc	Ductile Iron	10	Locking Screw	Stainless Steel
5	Seat	EPDM	11	Lever	Malleable CI
6	Body	Cast Iron	12	Bolt & Nut	Stainless Steel

Dimensions

Size	A		B		C		Class150		L		P		ØQ		S		ØT		ØU		ØV			
	in.	mm	in.	mm	in.	mm	ØD (in. mm)	M	N	in.	mm	in.	mm	in.	mm	in.	mm	in.	mm	in.	mm	in.	mm	
2"	3	76	6 ⁵ / ₈	162	1 ¹ / ₄	32	4 ³ / ₄	120.7	5 ¹ / ₈ "-11 UNC	4	1 ¹ / ₈	42	10 ¹ / ₁₆	255	1/2	12.7	3 ¹ / ₈	10	2 ³ / ₄	70	3 ³ / ₈	90	3 ¹ / ₈	9.5
3"	3 ³ / ₄	95	7 ¹ / ₈	181	1 ¹ / ₄	32	6	152.4	5 ¹ / ₈ "-11 UNC	4	1 ¹ / ₄	45	10 ¹ / ₁₆	255	1/2	12.7	3 ¹ / ₈	10	2 ³ / ₄	70	3 ³ / ₈	90	3 ¹ / ₈	9.5
4"	4 ¹ / ₂	114	7 ⁷ / ₈	200	1 ¹ / ₄	32	7 ¹ / ₂	190.5	5 ¹ / ₈ "-11 UNC	8	2 ¹ / ₁₆	52	10 ¹ / ₁₆	255	3/8	15.88	1/2	12	2 ³ / ₄	70	3 ³ / ₈	90	3 ¹ / ₈	9.5
6"	5 ¹ / ₂	139	8 ⁵ / ₈	225	1 ¹ / ₄	32	9 ¹ / ₂	241.3	3 ¹ / ₄ "-10 UNC	8	2 ³ / ₁₆	56	10 ¹ / ₁₆	255	3/4	19.05	9 ¹ / ₁₆	14	2 ³ / ₄	70	3 ³ / ₈	90	3 ¹ / ₈	9.5
8"	6 ¹⁵ / ₁₆	177	10 ¹ / ₄	260	1 ¹ / ₂	38	11 ¹ / ₄	298.5	3 ¹ / ₄ "-10 UNC	8	2 ¹ / ₈	60	14	355	7/8	22.23	1 ¹ / ₁₆	17	4	102	4 ¹⁵ / ₁₆	125	7 ¹ / ₁₆	11.5
10"	8	203	11 ¹ / ₂	292	1 ¹ / ₂	38	14 ¹ / ₄	362	7 ¹ / ₈ "-9 UNC	12	2 ¹ / ₈	66	14	355	1 ¹ / ₈	28.58	7/8	22	4	102	4 ⁹ / ₁₆	125	7 ¹ / ₁₆	11.5
12"	9 ¹ / ₂	242	13 ¹ / ₄	337	1 ¹ / ₂	38	17	431.8	7 ¹ / ₈ "-9 UNC	12	3 ¹ / ₁₆	77	14	355	1 ¹ / ₄	31.75	1 ¹ / ₁₆	24	4	102	4 ¹⁵ / ₁₆	125	7 ¹ / ₁₆	11.5