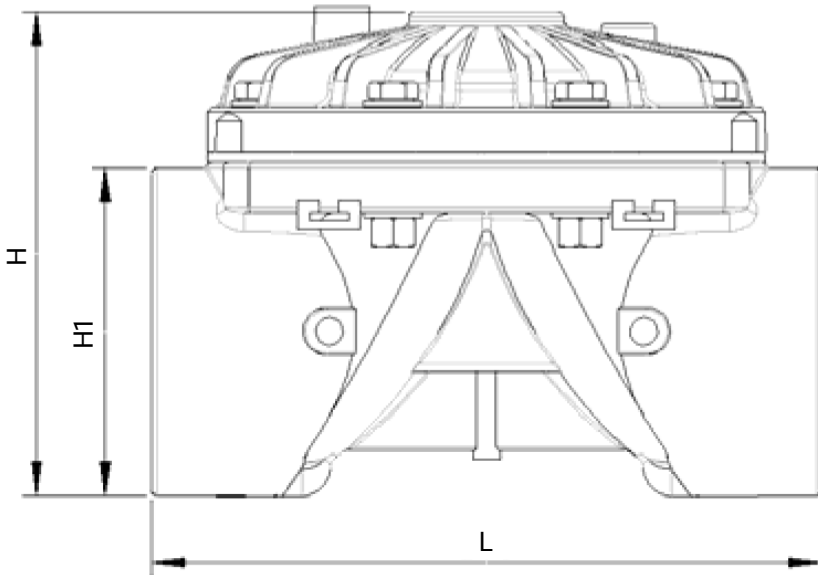


# RKSV-UPVC-4



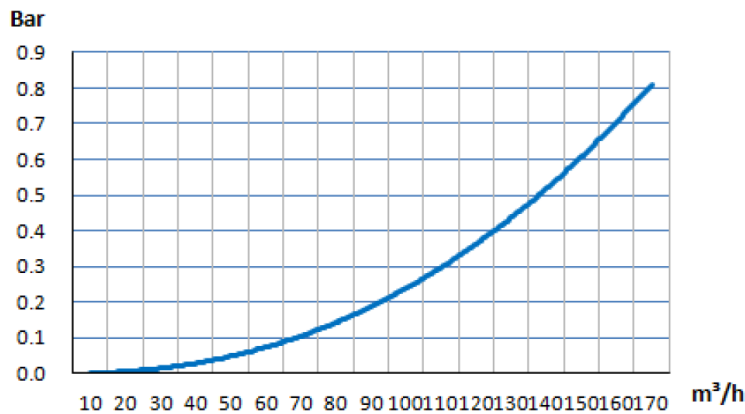
## 4" Electric Control Valve

UPVC w/ AC Solenoid - Slip



<b>Size</b>	4"
<b>Connection</b>	PVC Slip
<b>Max Flow</b>	700 GPM
<b>Max Working Pressure</b>	145 PSI
<b>Minimum Pressure</b>	10 PSI
<b>Max Temperature</b>	104°F (40°C)

### Head Loss Chart: 3-way Electric Valve



<< Relationship between Flow and Head Loss >>

Horizontal Axis  $Q$  : Flow rate,  $1\text{m}^3/\text{h}=4.4\text{gpm(US)}$

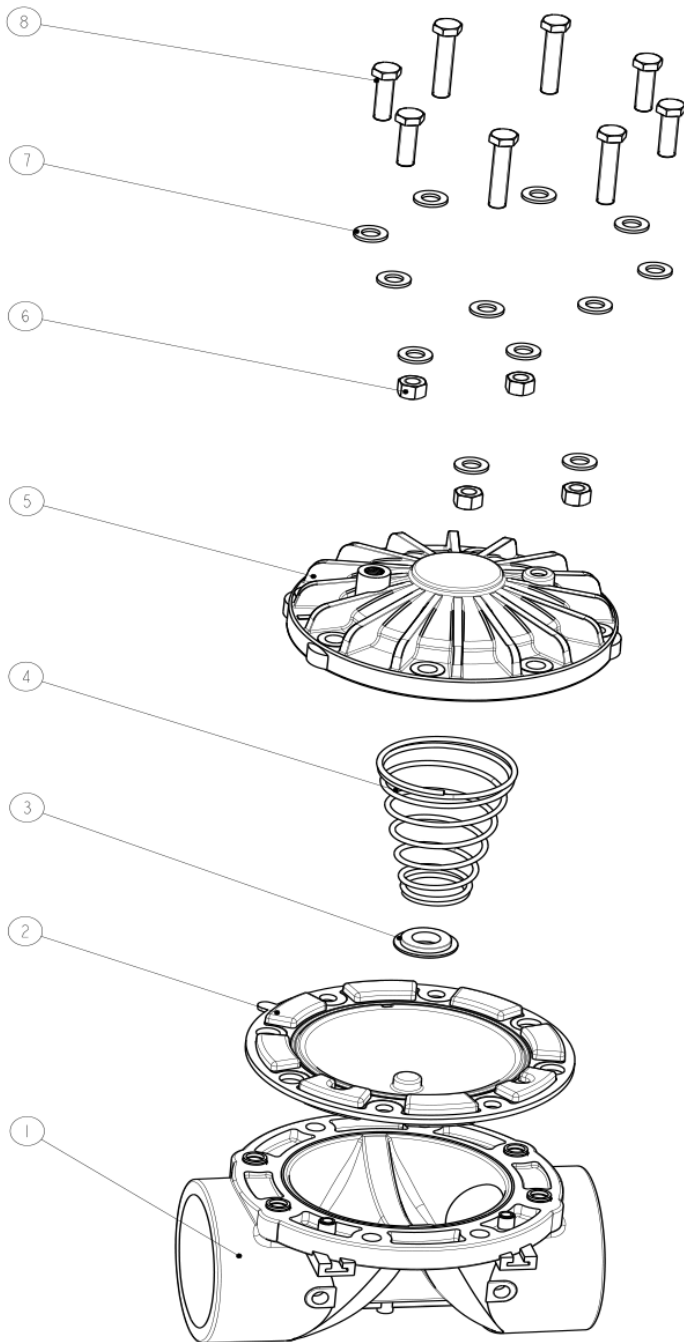
Vertical Axis  $\Delta H$  : Head loss,  $1\text{Bar}=14.5\text{Psi}$

### Dimensions

Size	L		H1		H	
	in.	mm	in.	mm	in.	mm
3"	10.2	259	4.4	112	7.4	187
4"	10.9	278	5.4	136	7.9	201

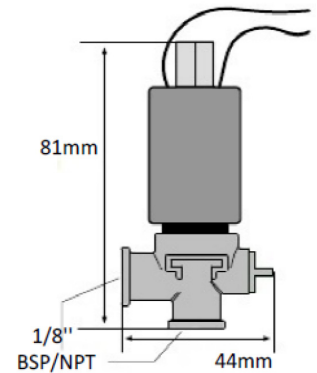
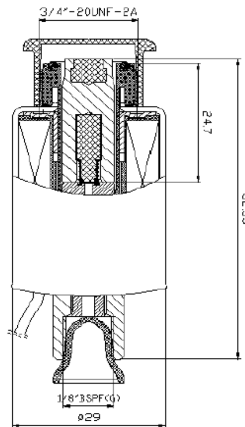
## 4" Electric Control Valve

UPVC w/ AC Solenoid - Slip



### Materials List

No.	Part Name	Material
1	Body	UPVC
2	Diaphragm	EPDM
3	Spring Seat	POM
4	Spring	304 SST
5	Valve Bonnet	PA66
6	Nuts	304 SST
7	Washers	304 SST
8	M12 Bolts	304 SST



### Solenoid

Solenoid	Wire Color	Frequency	Current (A)	
			Inrush	Holding
3way N.C. 24VAC	Red/Blue	50 Hz	0.17	0.17
		60 Hz	0.16	0.16