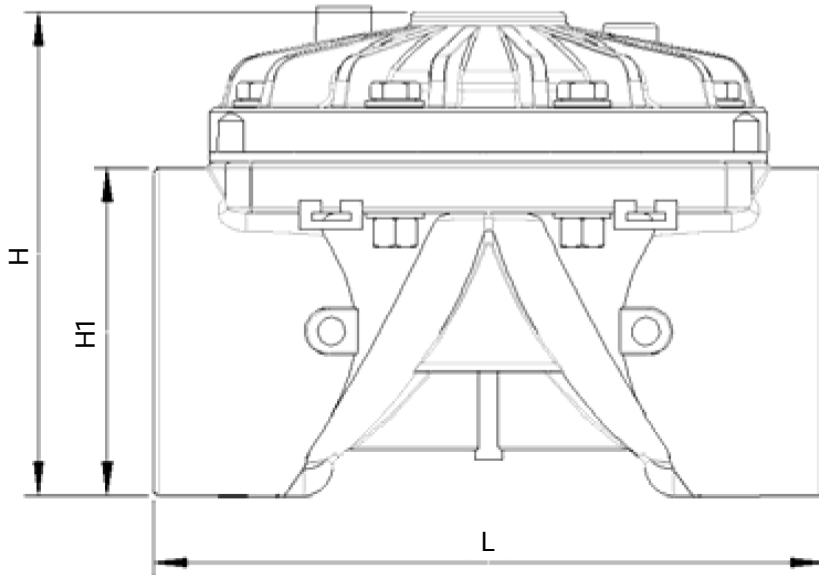


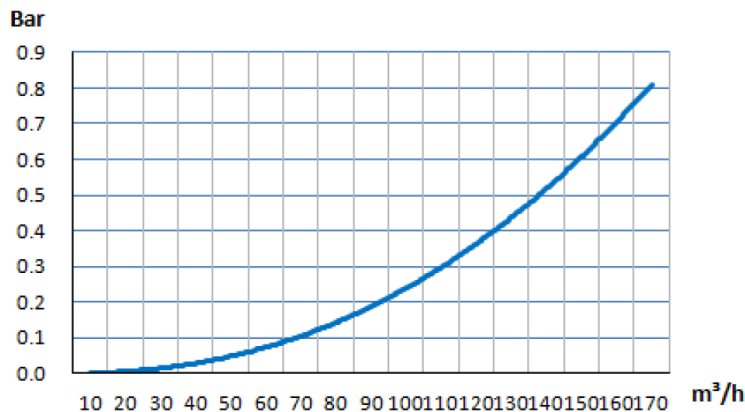
3" Electric Control Valve

UPVC w/ AC Solenoid - Slip



Size	3"
Connection	PVC Slip
Max Flow	440 GPM
Max Working Pressure	145 PSI
Minimum Pressure	10 PSI
Max Temperature	104°F (40°C)

Head Loss Chart: 3-way Electric Valve



<< Relationship between Flow and Head Loss >>

Horizontal Axis Q : Flow rate, $1\text{m}^3/\text{h}=4.4\text{gpm(US)}$

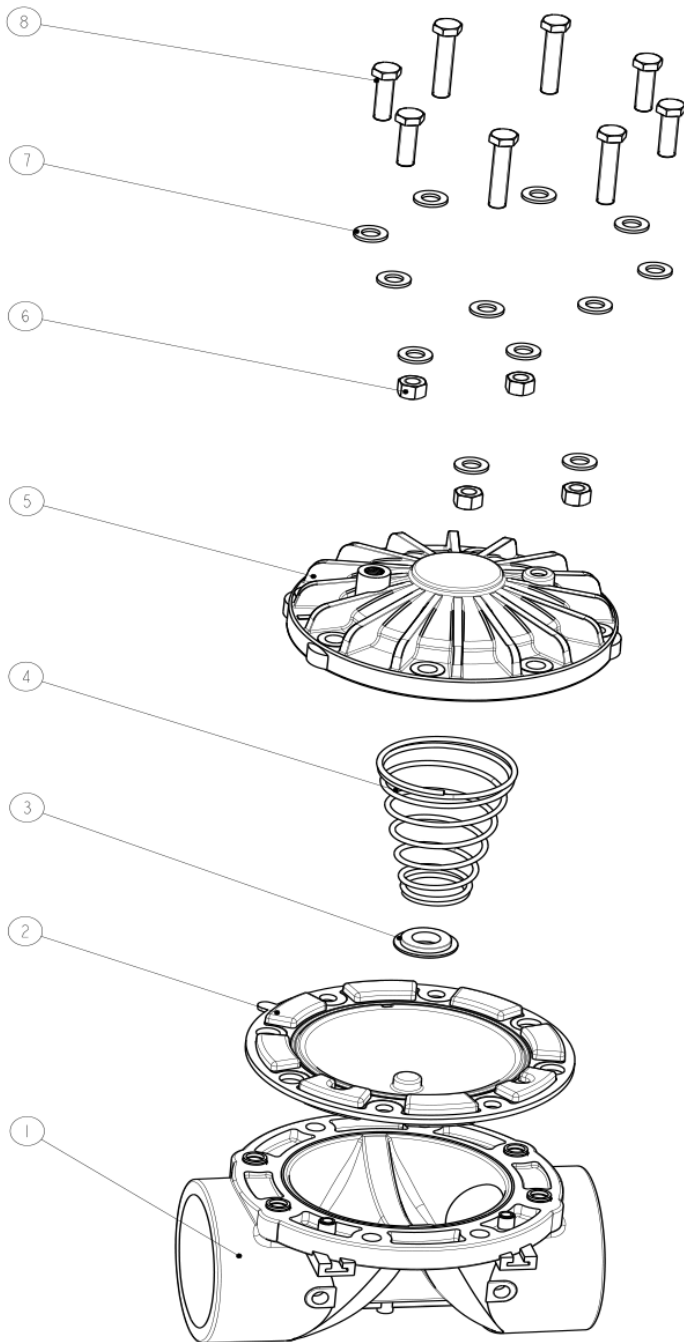
Vertical Axis ΔH : Head loss, $1\text{Bar}=14.5\text{Psi}$

Dimensions

Size	L		H1		H	
	in.	mm	in.	mm	in.	mm
3"	10.2	259	4.4	112	7.4	187
4"	10.9	278	5.4	136	7.9	201

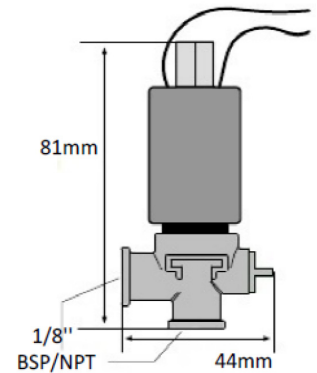
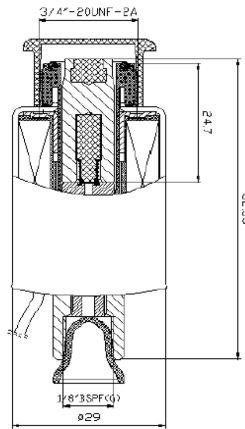
3" Electric Control Valve

UPVC w/ AC Solenoid - Slip



Materials List

No.	Part Name	Material
1	Body	UPVC
2	Diaphragm	EPDM
3	Spring Seat	POM
4	Spring	304 SST
5	Valve Bonnet	PA66
6	Nuts	304 SST
7	Washers	304 SST
8	M12 Bolts	304 SST



Solenoid

Solenoid	Wire Color	Frequency	Current (A)	
			Inrush	Holding
3way N.C. 24VAC	Red/Blue	50 Hz	0.17	0.17
		60 Hz	0.16	0.16