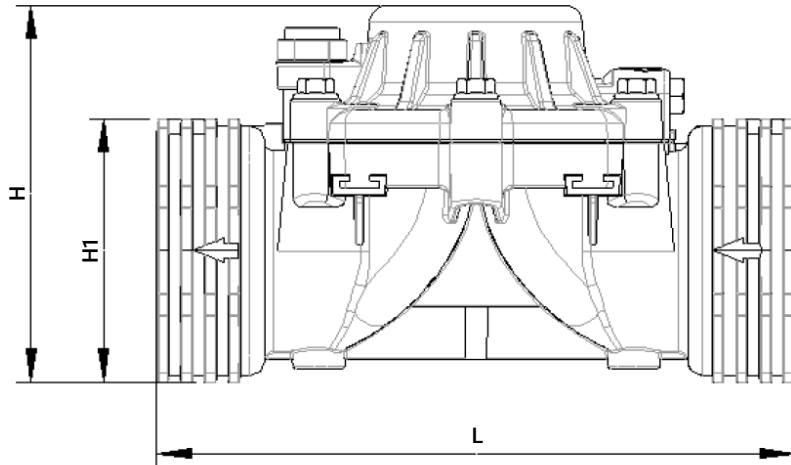


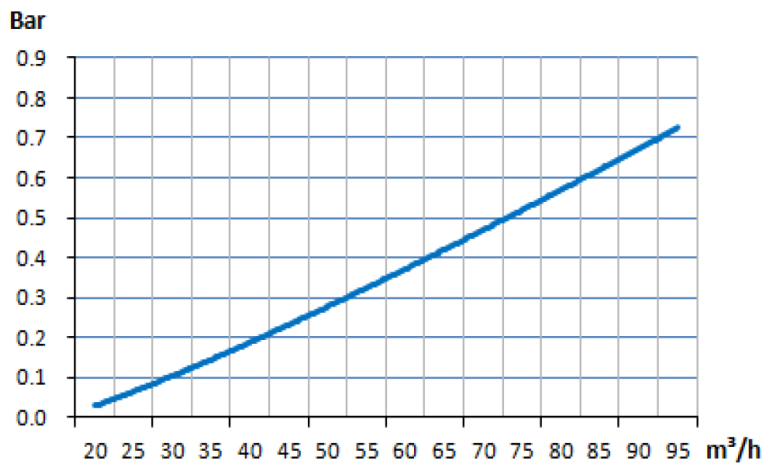
## 3" Electric Control Valve

Nylon w/ AC Solenoid - FNPT



<b>Size</b>	3"
<b>Connection</b>	NPT
<b>Max Flow</b>	396 GPM
<b>Max Working Pressure</b>	145 PSI
<b>Minimum Pressure</b>	10 PSI
<b>Max Temperature</b>	140°F (60°C)

### Head Loss Chart: 3-way Electric Valve



<< Relationship between Flow and Head Loss >>

Horizontal Axis  $Q$  : Flow rate, 1m<sup>3</sup>/h=4.4gpm(US)

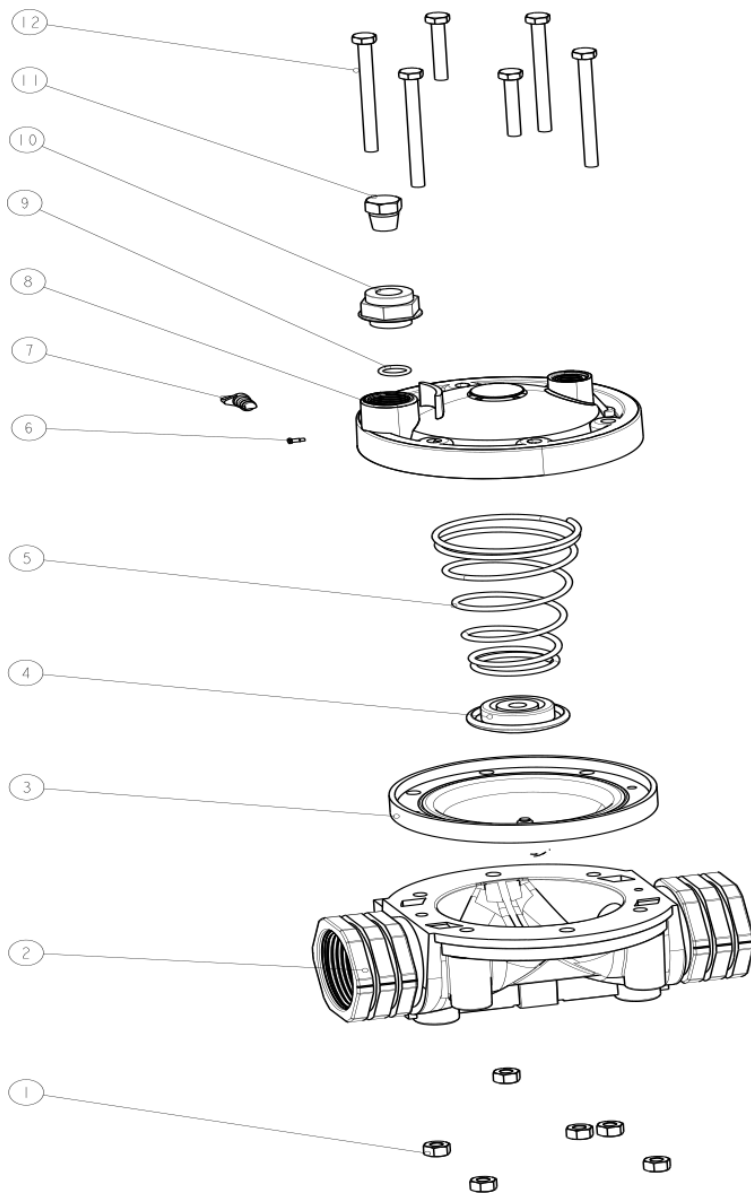
Vertical Axis  $\Delta H$  : Head loss, 1Bar=14.5Psi

### Dimensions

Size	L		H1		H	
	in.	mm	in.	mm	in.	mm
3"	10.1	257	4.4	111	6.3	159

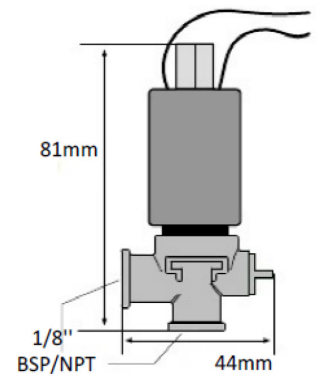
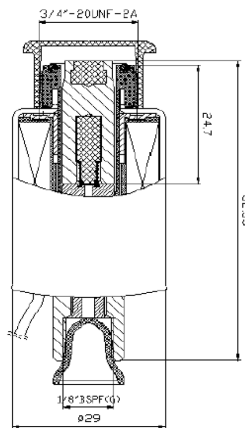
## 3" Electric Control Valve

Nylon w/ AC Solenoid - FNPT



### Materials List

No.	Part Name	Material
1	Valve Body	Reinforced PA66
2	Diaphragm	NR
3	Spring Seat	POM
4	Spring	304 SST
5	Screw Plug	Reinforced PA66
6	Valve Bonnet	Reinforced PA66
7	O-Ring	NBR
8	Adapter	Reinforced PA66
9	M8 Bolts	304 SST



### Solenoid

Solenoid	Wire Color	Frequency	Current (A)	
			Inrush	Holding
3way N.C. 24VAC	Red/Blue	50 Hz	0.17	0.17
		60 Hz	0.16	0.16