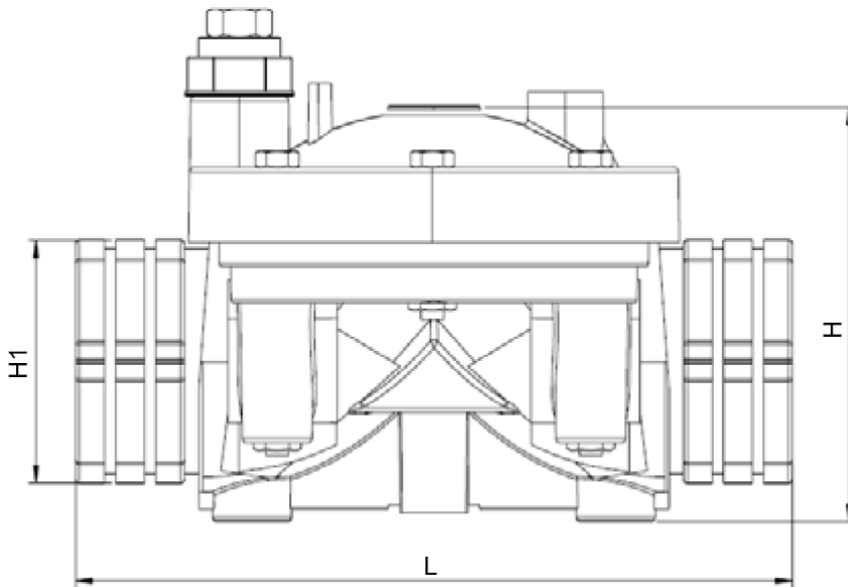


RKSV-PA-1.5



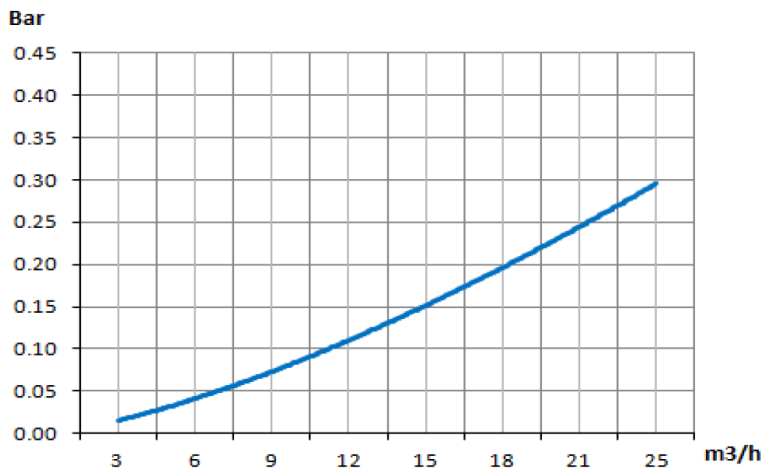
1-1/2" Electric Control Valve

Nylon w/ AC Solenoid - FNPT



Size	1-1/2"
Connection	NPT
Max Flow	110 GPM
Max Working Pressure	145 PSI
Minimum Pressure	10 PSI
Max Temperature	140°F (60°C)

Head Loss Chart: 3-way Electric Valve



<< Relationship between Flow and Head Loss >>

Horizontal Axis Q : Flow rate, 1m³/h=4.4gpm(US)

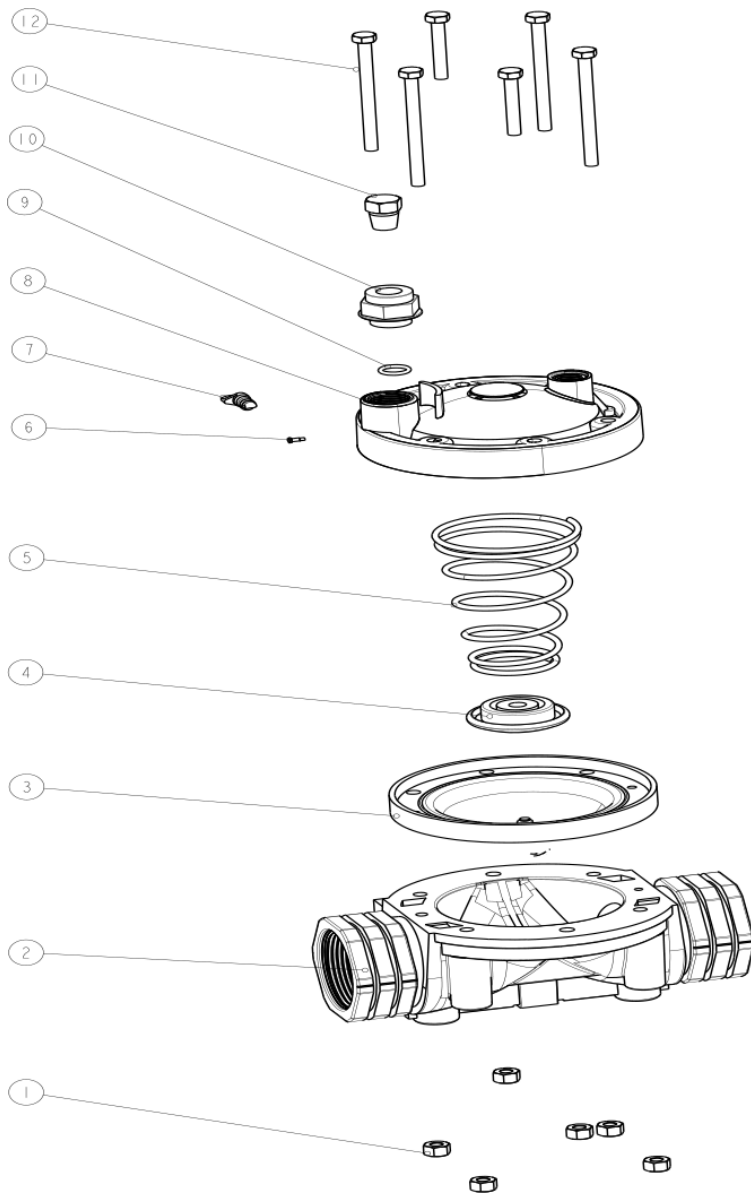
Vertical Axis ΔH : Head loss, 1Bar=14.5Psi

Dimensions

Size	L		H1		H	
	in.	mm	in.	mm	in.	mm
1-1/2"	7.5	190	2.4	61	4.1	104
2"	7.9	200	2.9	75	4.1	104

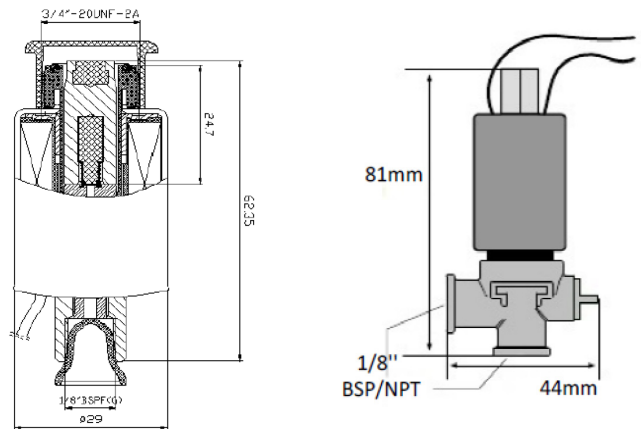
1-1/2" Electric Control Valve

Nylon w/ AC Solenoid - FNPT



Materials List

No.	Part Name	Material
1	Hex Nuts	304 SST
2	Valve Body	Reinforced PA66
3	Diaphragm	NR
4	Spring Seat	POM
5	Spring	304 SST
6	Latch	Brass
7	Manual Override Switch	POM
8	Valve Bonnet	Reinforced PA66
9	O-Ring	NBR
10	Adapter	Reinforced PA66
11	Screw Plug	Reinforced PA66
12	Bolts	304 SST



Solenoid

Solenoid	Wire Color	Frequency	Current (A)	
			Inrush	Holding
3way N.C. 24VAC	Red/Blue	50 Hz	0.17	0.17
		60 Hz	0.16	0.16