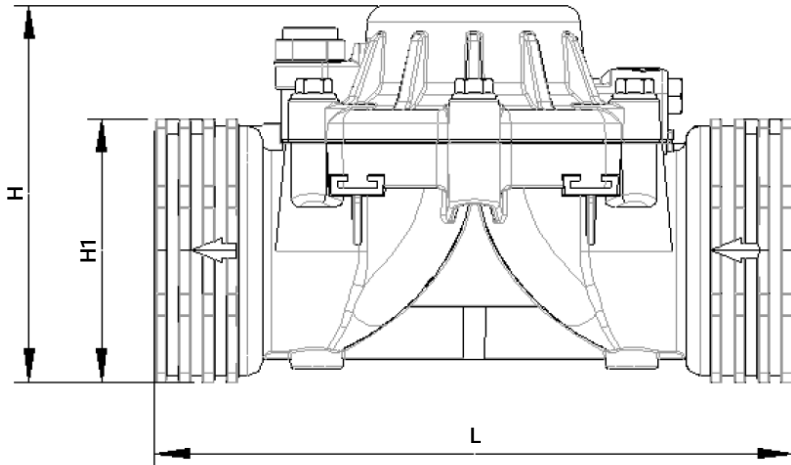
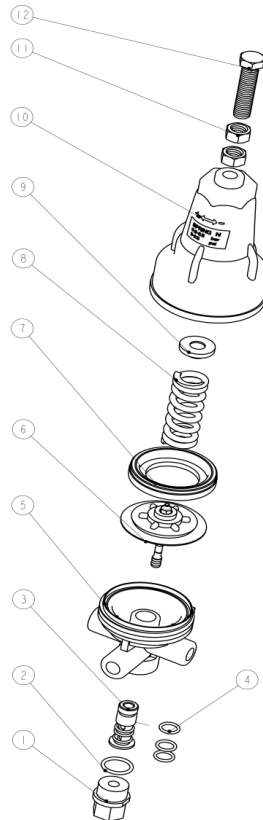
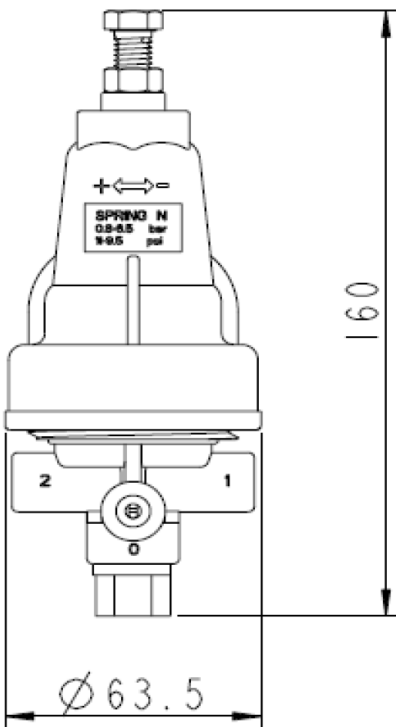


3" Electric Pressure Reducing Valve

Nylon w/ AC Solenoid - FNPT



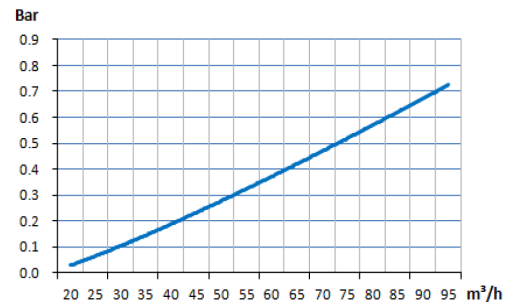
Size	3"
Outlet PSI	7 - 43 PSI
Connection	NPT
Max Flow	396 GPM
Max Working Pressure	145 PSI
Minimum Pressure	10 PSI
Max Temperature	140°F (60°C)



Dimensions

Size	L		H1		H	
	in.	mm	in.	mm	in.	mm
3"	10.1	257	4.4	111	6.3	159

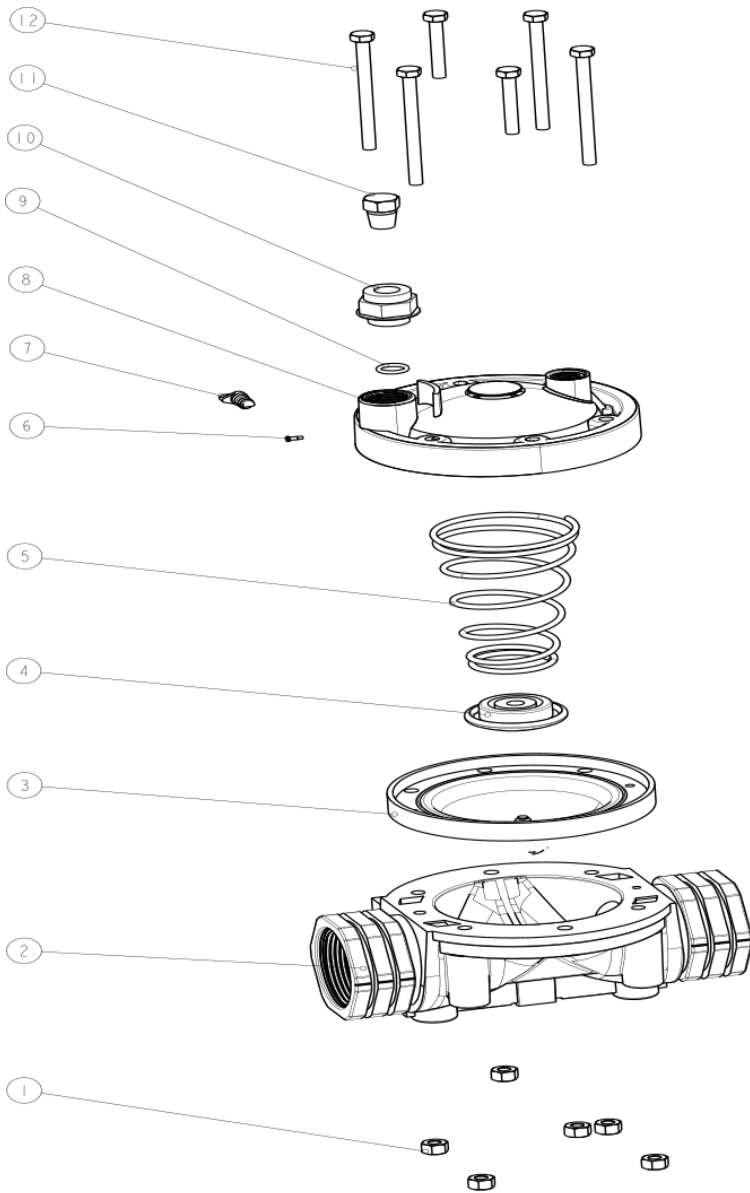
Head Loss Chart: 3-way Electric Valve



<< Relationship between Flow and Head Loss >>
 Horizontal Axis Q: Flow rate, 1m³/h=4.4gpm(US)
 Vertical Axis ΔH: Head loss, 1Bar=14.5Psi

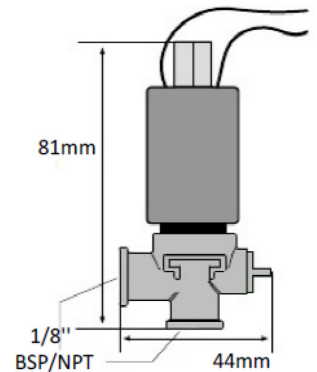
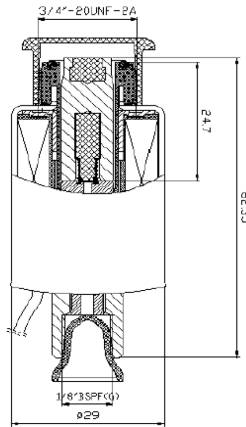
3" Electric Pressure Reducing Valve

Nylon w/ AC Solenoid - FNPT



Materials List

No.	Part Name	Material
1	Valve Body	Reinforced PA66
2	Diaphragm	NR
3	Spring Seat	POM
4	Spring	304 SST
5	Screw Plug	Reinforced PA66
6	Valve Bonnet	Reinforced PA66
7	O-Ring	NBR
8	Adapter	Reinforced PA66
9	M8 Bolts	304 SST



Solenoid

Solenoid	Wire Color	Frequency	Current (A)	
			Inrush	Holding
3way N.C. 24VAC	Red/Blue	50 Hz	0.17	0.17
		60 Hz	0.16	0.16