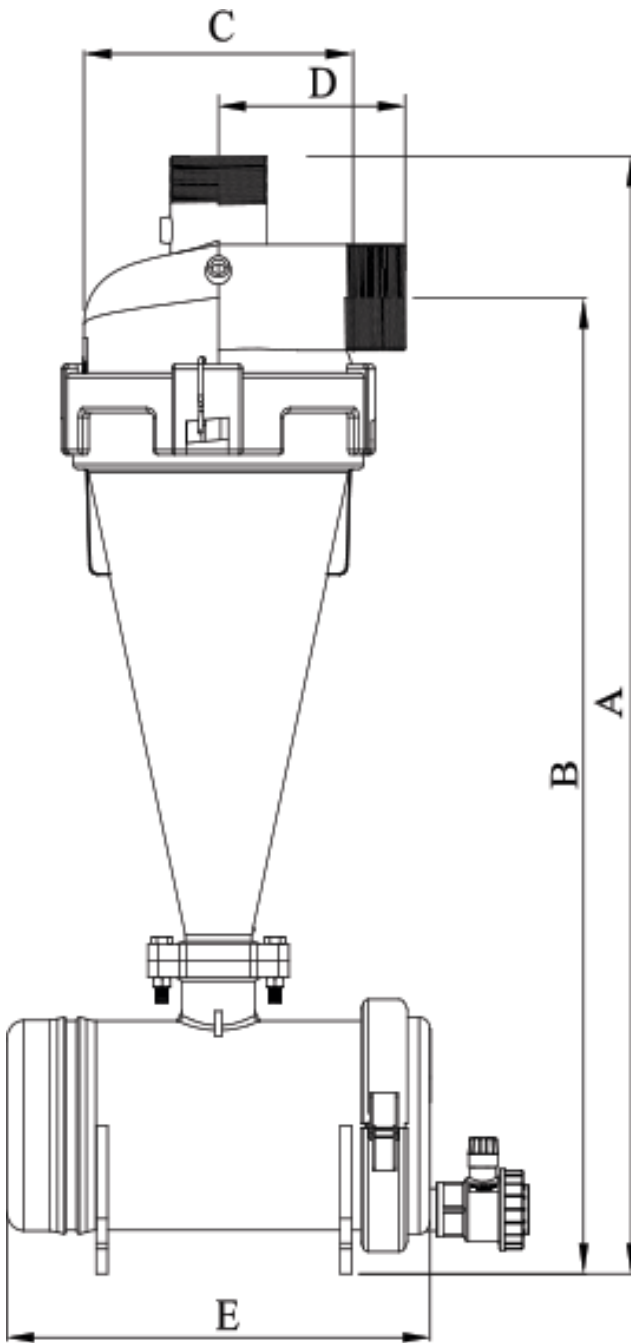


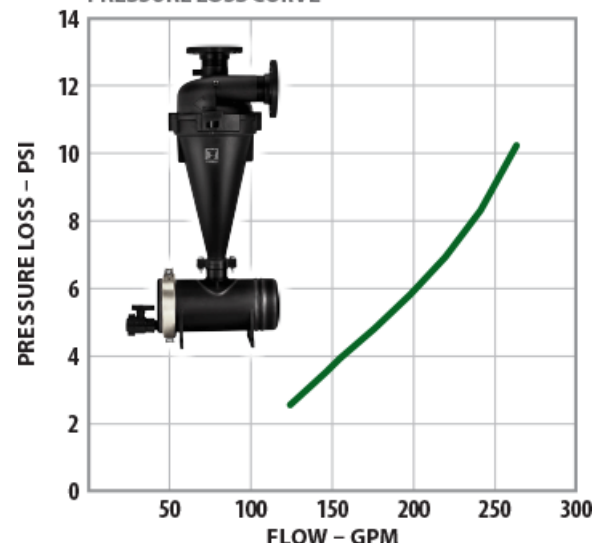
3" Hydrocyclone Sand Separator



Inlet/Outlet	3" Flange
Connection	ANSI 150
Min. Flow	155 GPM
Max. Flow	230 GPM
Max. Working Pressure	110 PSI

RKHC350 – 3"

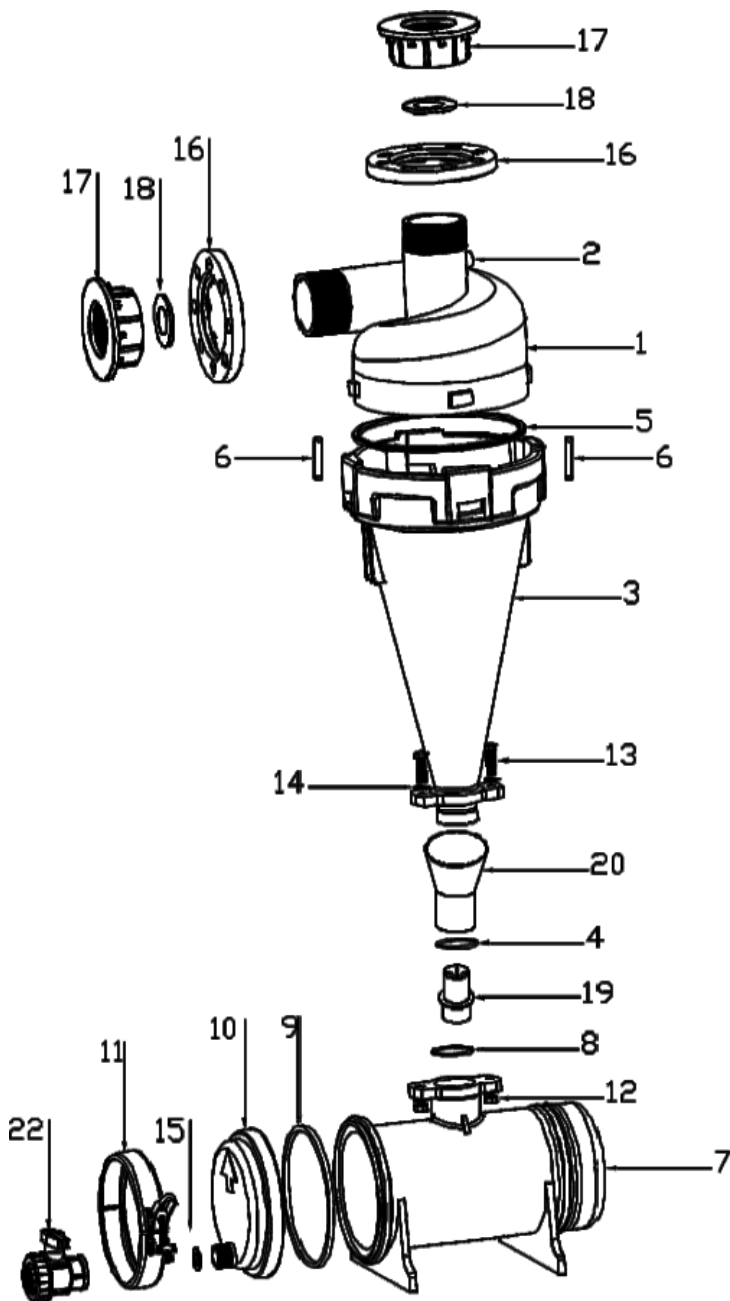
PRESSURE LOSS CURVE



Dimensions

Size	A		B		C		D		E	
	in.	mm	in.	mm	in.	mm	in.	mm	in.	mm
2"	37	940	31.8	808	8.1	206	5.9	151	15.6	395
3"	39	990	34.2	868	9.8	248	6.9	175	19	482

3" Hydrocyclone Sand Separator



Materials List

No.	Part Name	Material
1	Body	Glass Reinforced PA
2	Bush	Brass
3	Cone	Glass Reinforced PP
4	Cone O-Ring Small	NBR
5	Cone Main O-Ring	NBR
6	Locking Pin	SS-304
7	Collection Tank	Glass Reinforced PP
8	Collection Tank O-Ring	NBR
9	Collection Tank Gasket	NBR
10	Collection Tank Cap	Glass Reinforced PP
11	Clamp	SS-304
12	Nut (10mm)	SS-304
13	Bolt (10x50)	SS-304
14	Washer (10mm)	SS-304
15	Ball Valve Rubber Washer	NBR
16	Slip On Flange	Glass Reinforced PP
17	Slip On Socket	Glass Reinforced PP
18	Flange Rubber Washer	NBR
19	Damper	POM
20	Cone Sleeve	TPU
22	1" Ball Valve	PVC