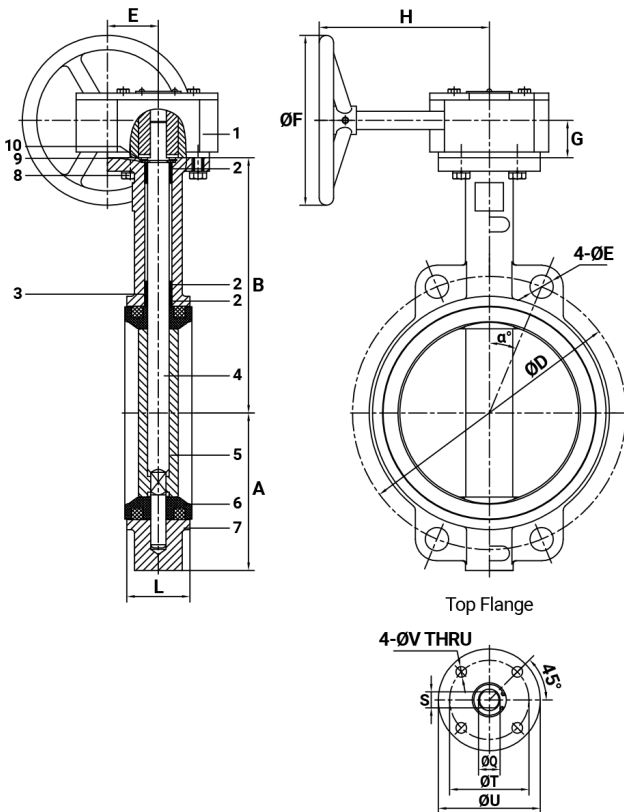


## 12" Cast Iron Butterfly Valve | Wafer EPDM Seat, Gear Operated

Cast iron wafer style butterfly valve with nickel plated ductile iron disc and EPDM seat.



|                            |                   |
|----------------------------|-------------------|
| <b>Size</b>                | 12"               |
| <b>Body Material</b>       | Cast Iron         |
| <b>Body Design</b>         | Wafer             |
| <b>Operation</b>           | Gearbox           |
| <b>Connections</b>         | Flange / ANSI 125 |
| <b>Pressure Rating</b>     | 225 PSI           |
| <b>Temperature Rating</b>  | -4° to 194° F     |
| <b>Length (End to End)</b> | 3"                |
| <b>Weight</b>              | 93 lbs            |

### Features

- Gearbox operator is self-locking in any position for throttle control
- Fusion-Bonded Epoxy Coating
- Does not require flange gaskets thanks to EPDM seat

### Materials List

| No. | Part Name     | Material             | No. | Part Name   | Material        |
|-----|---------------|----------------------|-----|-------------|-----------------|
| 1   | Gear Operator | DI, Carbon Steel, CI | 6   | Seat        | EPDM            |
| 2   | Bushing       | PTFE                 | 7   | Body        | Cast Iron       |
| 3   | O-Ring        | EPDM                 | 8   | Bolt        | Stainless Steel |
| 4   | Stem          | SS416                | 9   | Thrust Clip | Carbon Steel    |
| 5   | Disc          | Ductile Iron         | 10  | Circlip     | Carbon Steel    |

### Dimensions

| Size | A                             | B      | C                              | Class 150 (in. mm) |                               |    | E      | ØF                             | G      | H                              | L      | ØQ                             | S      | ØT                               | ØU     | ØV                             |    |                                |     |                                |    |                               |       |                                |    |                               |     |                                 |     |      |      |
|------|-------------------------------|--------|--------------------------------|--------------------|-------------------------------|----|--------|--------------------------------|--------|--------------------------------|--------|--------------------------------|--------|----------------------------------|--------|--------------------------------|----|--------------------------------|-----|--------------------------------|----|-------------------------------|-------|--------------------------------|----|-------------------------------|-----|---------------------------------|-----|------|------|
| in.  | in. mm                        | in. mm | in. mm                         | a°                 | ØD                            | ØE | in. mm | in. mm                         | in. mm | in. mm                         | in. mm | in. mm                         | in. mm | in. mm                           | in. mm | in. mm                         |    |                                |     |                                |    |                               |       |                                |    |                               |     |                                 |     |      |      |
| 2"   | 3                             | 76     | 6 <sup>3</sup> / <sub>16</sub> | 162                | 1 <sup>1</sup> / <sub>4</sub> | 32 | 45°    | 4 <sup>3</sup> / <sub>4</sub>  | 121    | 1 <sup>1</sup> / <sub>16</sub> | 17.5   | 1 <sup>1</sup> / <sub>4</sub>  | 44     | 5 <sup>5</sup> / <sub>16</sub>   | 135    | 1 <sup>1</sup> / <sub>8</sub>  | 28 | 5 <sup>1</sup> / <sub>2</sub>  | 139 | 1 <sup>1</sup> / <sub>8</sub>  | 42 | 1/2                           | 12.7  | 3/8                            | 10 | 2 <sup>3</sup> / <sub>4</sub> | 70  | 3 <sup>3</sup> / <sub>16</sub>  | 90  | 3/8  | 9.5  |
| 3"   | 3 <sup>3</sup> / <sub>4</sub> | 95     | 7 <sup>1</sup> / <sub>16</sub> | 181                | 1 <sup>1</sup> / <sub>4</sub> | 32 | 45°    | 6                              | 152    | 1 <sup>1</sup> / <sub>16</sub> | 17.5   | 1 <sup>1</sup> / <sub>4</sub>  | 44     | 5 <sup>5</sup> / <sub>16</sub>   | 135    | 1 <sup>1</sup> / <sub>8</sub>  | 28 | 5 <sup>1</sup> / <sub>2</sub>  | 139 | 1 <sup>1</sup> / <sub>4</sub>  | 45 | 1/2                           | 12.7  | 3/8                            | 10 | 2 <sup>3</sup> / <sub>4</sub> | 70  | 3 <sup>3</sup> / <sub>16</sub>  | 90  | 3/8  | 9.5  |
| 4"   | 4 <sup>1</sup> / <sub>2</sub> | 114    | 7 <sup>7</sup> / <sub>16</sub> | 200                | 1 <sup>1</sup> / <sub>4</sub> | 32 | 22.5°  | 7 <sup>1</sup> / <sub>2</sub>  | 191    | 1 <sup>1</sup> / <sub>16</sub> | 17.5   | 1 <sup>1</sup> / <sub>4</sub>  | 44     | 5 <sup>5</sup> / <sub>16</sub>   | 135    | 1 <sup>1</sup> / <sub>8</sub>  | 28 | 5 <sup>1</sup> / <sub>2</sub>  | 139 | 2 <sup>1</sup> / <sub>16</sub> | 52 | 5/8                           | 15.88 | 1/2                            | 12 | 2 <sup>3</sup> / <sub>4</sub> | 70  | 3 <sup>3</sup> / <sub>16</sub>  | 90  | 3/8  | 9.5  |
| 6"   | 5 <sup>1</sup> / <sub>2</sub> | 139    | 8 <sup>7</sup> / <sub>16</sub> | 225                | 1 <sup>1</sup> / <sub>4</sub> | 32 | 22.5°  | 9 <sup>1</sup> / <sub>2</sub>  | 241    | 1 <sup>3</sup> / <sub>16</sub> | 20.6   | 1 <sup>1</sup> / <sub>4</sub>  | 44     | 5 <sup>5</sup> / <sub>16</sub>   | 135    | 1 <sup>1</sup> / <sub>8</sub>  | 28 | 5 <sup>1</sup> / <sub>2</sub>  | 139 | 2 <sup>3</sup> / <sub>16</sub> | 56 | 3/4                           | 19.05 | 9/16                           | 14 | 2 <sup>3</sup> / <sub>4</sub> | 70  | 3 <sup>3</sup> / <sub>16</sub>  | 90  | 3/8  | 9.5  |
| 8"   | 7                             | 177    | 10 <sup>1</sup> / <sub>4</sub> | 260                | 1 <sup>1</sup> / <sub>2</sub> | 38 | 22.5°  | 11 <sup>1</sup> / <sub>4</sub> | 298    | 1 <sup>3</sup> / <sub>16</sub> | 20.6   | 2 <sup>1</sup> / <sub>16</sub> | 62     | 10 <sup>13</sup> / <sub>16</sub> | 275    | 1 <sup>1</sup> / <sub>16</sub> | 40 | 8 <sup>1</sup> / <sub>16</sub> | 211 | 2 <sup>3</sup> / <sub>16</sub> | 60 | 7/8                           | 22.23 | 1 <sup>1</sup> / <sub>16</sub> | 17 | 4                             | 102 | 4 <sup>19</sup> / <sub>16</sub> | 125 | 7/16 | 11.5 |
| 10"  | 8                             | 203    | 11 <sup>1</sup> / <sub>2</sub> | 292                | 1 <sup>1</sup> / <sub>2</sub> | 38 | 15°    | 14 <sup>1</sup> / <sub>4</sub> | 362    | 1 <sup>3</sup> / <sub>16</sub> | 23.8   | 2 <sup>1</sup> / <sub>16</sub> | 62     | 10 <sup>13</sup> / <sub>16</sub> | 275    | 1 <sup>1</sup> / <sub>16</sub> | 40 | 8 <sup>1</sup> / <sub>16</sub> | 211 | 2 <sup>3</sup> / <sub>16</sub> | 66 | 1 <sup>1</sup> / <sub>8</sub> | 28.58 | 7/8                            | 22 | 4                             | 102 | 4 <sup>19</sup> / <sub>16</sub> | 125 | 7/16 | 11.5 |
| 12"  | 9 <sup>1</sup> / <sub>2</sub> | 242    | 13 <sup>1</sup> / <sub>4</sub> | 337                | 1 <sup>1</sup> / <sub>2</sub> | 38 | 15°    | 17                             | 432    | 1 <sup>3</sup> / <sub>16</sub> | 23.8   | 3 <sup>3</sup> / <sub>16</sub> | 78     | 10 <sup>13</sup> / <sub>16</sub> | 275    | 1 <sup>1</sup> / <sub>16</sub> | 40 | 8 <sup>1</sup> / <sub>16</sub> | 220 | 3 <sup>1</sup> / <sub>16</sub> | 77 | 1 <sup>1</sup> / <sub>4</sub> | 31.75 | 1 <sup>1</sup> / <sub>16</sub> | 24 | 4                             | 102 | 4 <sup>19</sup> / <sub>16</sub> | 125 | 7/16 | 11.5 |