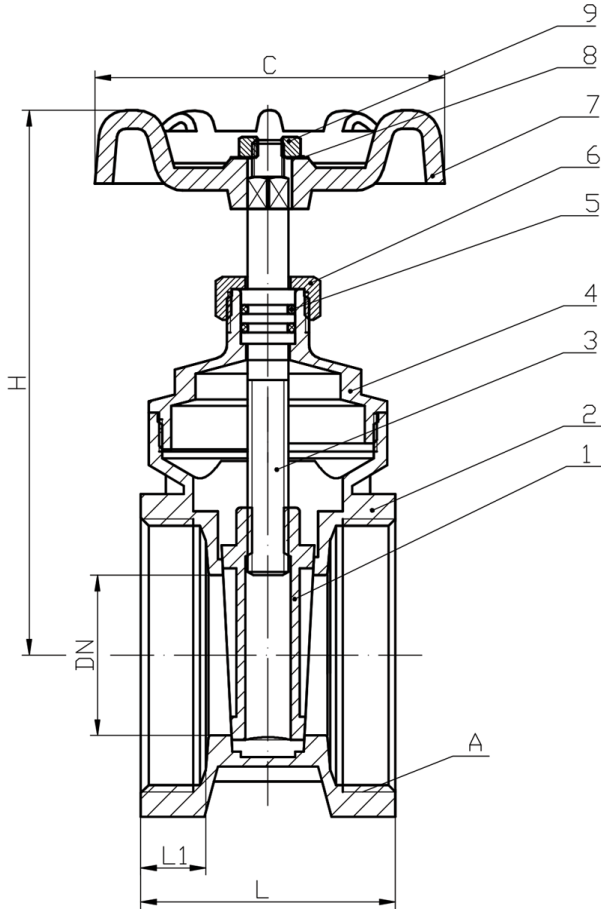


2" Brass Gate Valve

Reduced Bore



Size	2"
Connections	2" FNPT
Pressure Rating	232 PSI
Length (End to End)	2.70"
Weight	1.76 lbs

Materials List

No.	Part Name	Material
1	Disc	HPb57-3 Brass
2	Body	HPb57-3 Brass
3	Stem	HPb57-3 Brass
4	Bonnet	HPb57-3 Brass
5	O-Ring	NBR
6	Packing Nut	HPb57-3 Brass
7	Handwheel	Iron
8	Name Plate	Aluminum
9	Wheel Nut	C30 Steel

Dimensions

Size	A	DN	H	L1	L	C
in.	Threads Per In.	in. mm	in. mm	in. mm	in. mm	in. mm
2"	11.5	1.4 35	4.6 118	0.6 14	2.2 56	3.1 78
3"	8	2.6 65	7.2 183	0.6 14	2.6 67	4.9 124