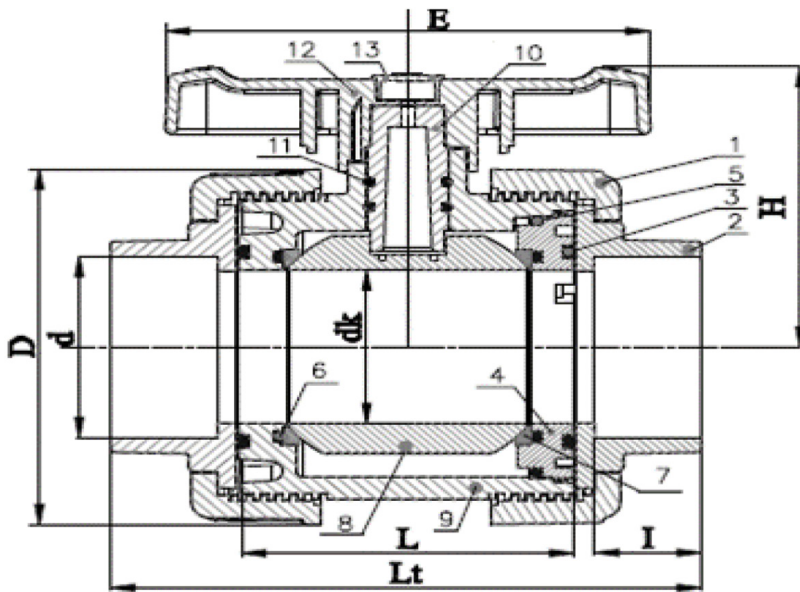


## 1-1/2" Double Union PVC Ball Valve



<b>Size</b>	1-1/2"
<b>Body Material</b>	PVC
<b>Connections</b>	Slip/Weld
<b>Pressure Rating</b>	232 PSI
<b>Weight</b>	1.21 lbs

### Features

- Quarter-turn handle operated ball valve
- TPE seals with O-ring gives cushioning effect that ensures leakage free and low fixed torque
- Union nut load does not transfer onto ball
- Chemical and corrosion resistant, color UV stabilized

### Dimensions

Size	ASTM (d)		dk		D		I		L		Lt		E		H	
	in.	mm	in.	mm	in.	mm	in.	mm	in.	mm	in.	mm	in.	mm	in.	mm
1"	1.32	33.4	1	25	2.7	69	0.8	20	2.2	56	4.3	110	2.8	71	2.6	67
<b>1-1/2"</b>	<b>1.9</b>	<b>48.26</b>	<b>1.6</b>	<b>40</b>	<b>3.7</b>	<b>94</b>	<b>1.3</b>	<b>32</b>	<b>2.9</b>	<b>73</b>	<b>5.9</b>	<b>150</b>	<b>4.8</b>	<b>121</b>	<b>3.4</b>	<b>88</b>
2"	2.38	60.33	1.9	50	4.6	116	1.4	35	3.3	84	6.9	177	5.9	150	3.8	97
3"	3.5	88.9	3	76	7.4	189	1.7	43	5.4	138	9.5	241	7.9	200	5.5	140

### Materials List

No.	Part Name	Material
1	Ring	UPVC
2	Socket	UPVC
3	Bush Small O-Ring	HNBR
4	Bush	UPVC
5	Bush Big O-Ring	HNBR
6	Seal Washer*	HNBR
7	Seal	EPDM/TPE
8	Ball	UPVC
9	Body	UPVC
10	Shaft	UPVC
11	Shaft O-Ring	HNBR
12	Handle	ABS
13	Handle Logo	ABS