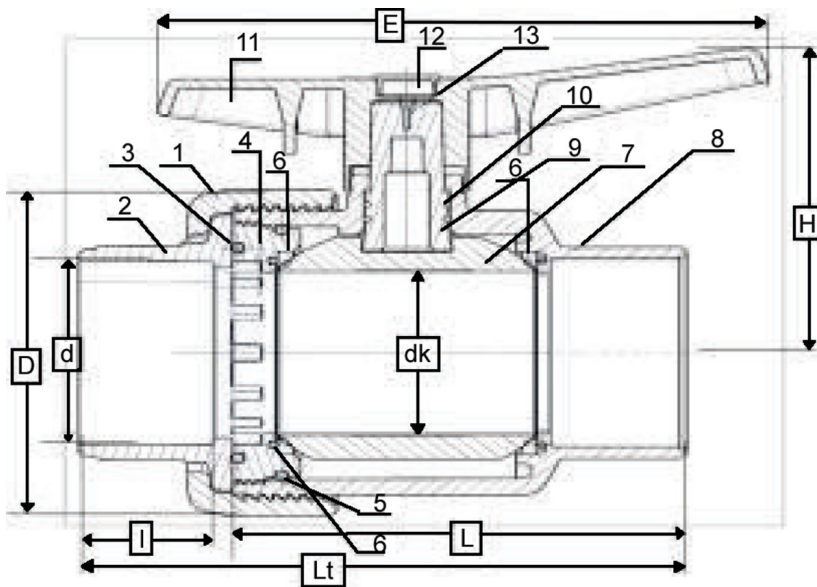


4" Single Union PVC Ball Valve



Size	4"
Body Material	PVC
Connections	Slip/Weld
Pressure Rating	145 PSI
Weight	15 lbs

Features

- Quarter-turn handle operated ball valve
- TPE seals with O-ring gives cushioning effect that ensures leakage free and low fixed torque
- Union nut load does not transfer onto ball
- Chemical and corrosion resistant, color UV stabilized

Dimensions

Size	ASTM (d)		dk		D		I		L		Lt		E		H	
in.	in.	mm	in.	mm	in.	mm	in.	mm	in.	mm	in.	mm	in.	mm	in.	mm
4"	4.5	114	3.9	98	7.8	197	2.4	60	7.9	200	10.6	268	10.6	270	7.3	186

Materials List

No.	Part Name	Material
1	Ring	UPVC
2	Socket	UPVC
3	Bush Small O-Ring	HNBR
4	Bush	UPVC
5	Bush Big O-Ring	HNBR
6	Seal	TPE
7	Ball	UPVC
8	Body	UPVC
9	Shaft	UPVC
10	Shaft O-Ring	HNBR
11	Handle	ABS
12	Handle Logo	ABS
13	Handle Screw	SS