

PARTS MANUAL

Model Serial Number

**T/E 200L
& 600,000 +
T/E 210**

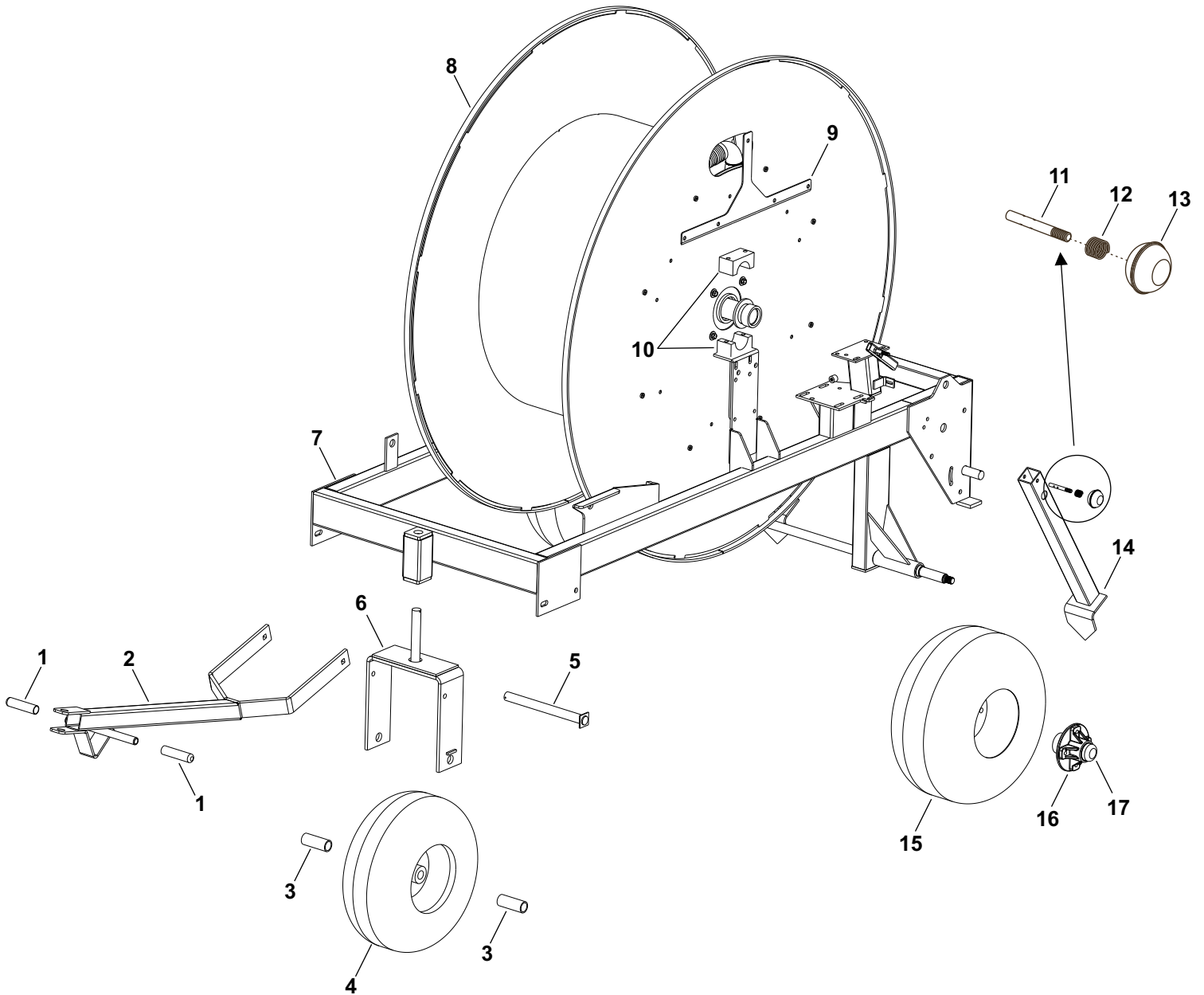
700 South Schrader Avenue
P.O. Box 290
Havana, IL 62644
Phone (309)543-4425
www.kifco.com

Page Index

DESCRIPTION	PAGE(S)
Main Frame Group	3 - 4
Spool Hose	4
Drive Train Group	5 - 7
Turbine Group	8 - 9
Level Wind Group	10
Shut Down Group	11
Tube Rider	11
Gun Cart Group	12 - 13
Gun Cart Valve Plumbing Circuit	14
Guard Group	15
Engine Drive Group	16 - 17
5.5 HP Booster Pump	18
9 HP Booster Pump	19
Booster Pump Components	20
Fuel Tank & Components	21
PE Hose Repair Menders	22
Notes	23

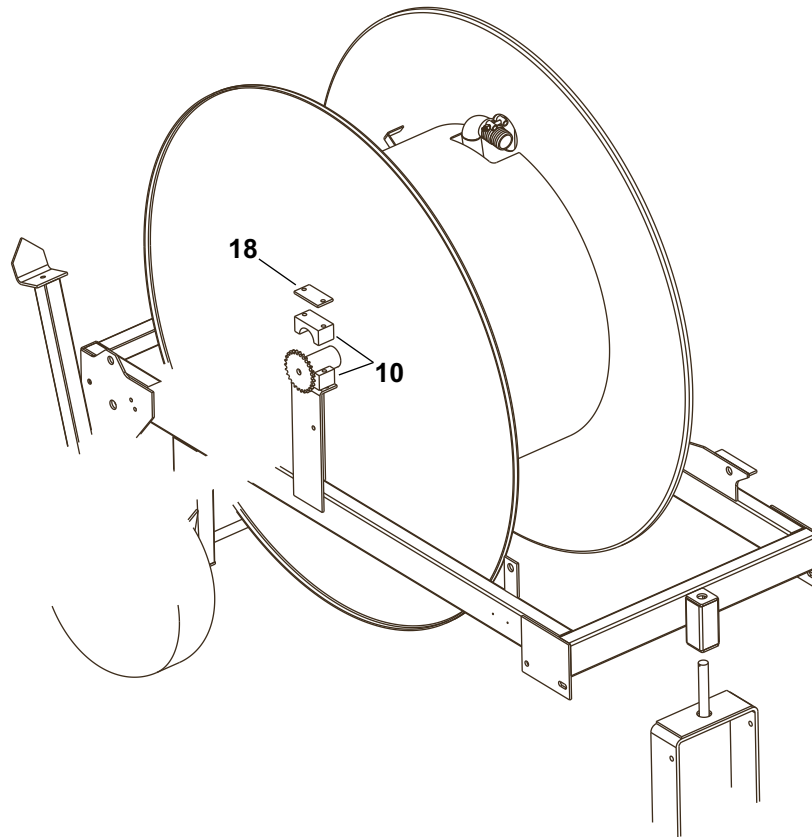
Items such as common fasteners, grease fitting, and other small parts easy to acquire locally are not listed

Main Frame Group

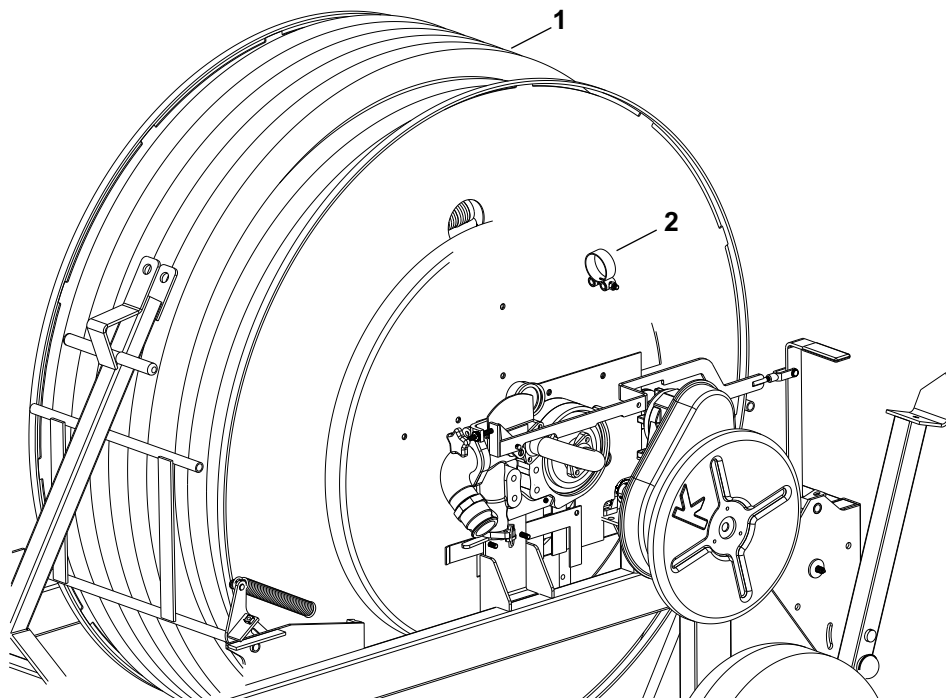


Item	Part Number	Description	Qty
1	58702520	GRIP,BLACK MOCAP .812X4.0"	2
2	50303210	TONGUE ASM - WRB3C - WRT5C,	1
3	50303862	SPCR,FRNT AXLE(3.36")-WRT4C/5C PL	2
4	59903941	WHEEL ASM,TIRE,RIM,BUSH 18X8.5X8X1"	1
5	50303151	AXLE ASM, FRONT-WRB3C THRU WRT5C	1
6	50303540	YOKE ASM, FRNT- B130C - T200C,	1
7	50401701	FRAME ASM, MAIN - WRT5C	1
8	52301030	SPOOL ASSEMBLY, T5 BOLT TOGETHER	1
9	50601260	SHIELD BRKT TOP T/E5/5	1
10	50302191	BEARING,HALF 2.25" (UHMW)-WRT4C/5C	4
11	50401900	PIN, STABILIZER LOCK-WRT4C/5C PL	2
12	50402150	SPRING, COMP 3/4X7/8 X.052 PLATED	2
13	30249150	KNOB,BALL 3/8-16 FEMALE THREADS	2
14	50401740	LEG ASM, STABILIZR - WRT4C/5C	2
15	59903940	WHEEL&TIRE20X10X8 4BOLT4"	2
16	58802500	HUB ASSY,4BOLTW440 1-1/16	2
17	58803561	CAP,HUB	2

Main Frame Group cont. & Hose

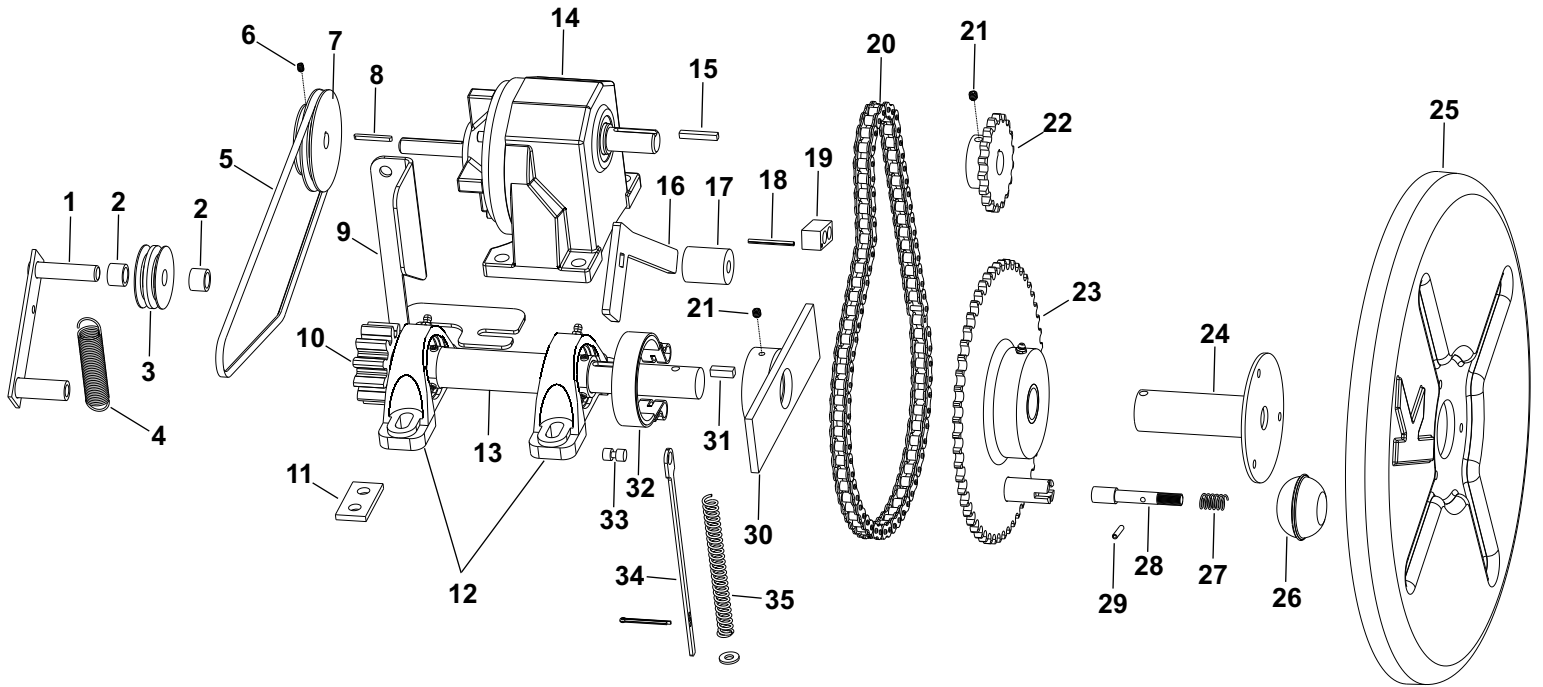


Item	Part Number	Description	Qty
18	50305470	PLATE, BEARING - WRT4C/5C PCGY	1
10	50302191	BEARING, HALF 2.25" (UHMW)-WRT4C/5C	4



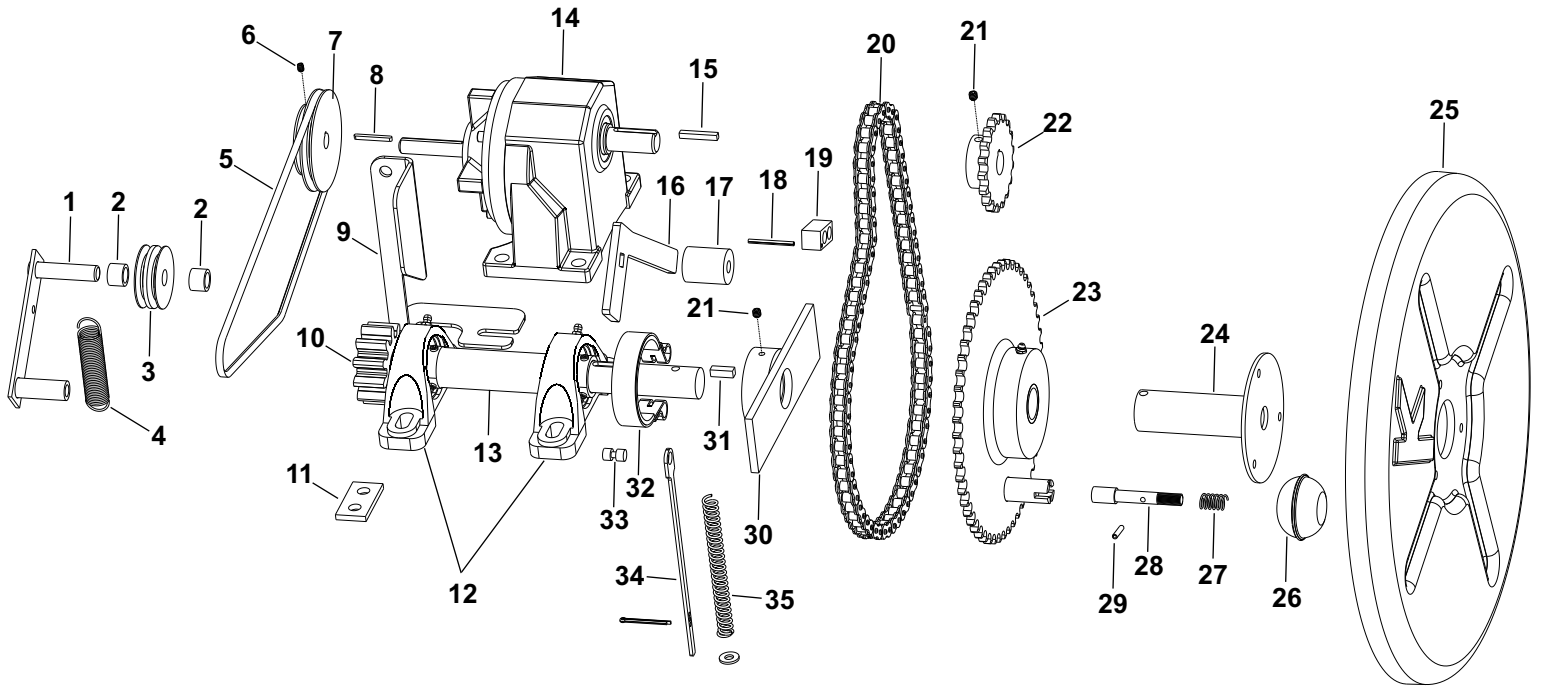
Item	Part Number	Description	Qty
1	50100340	TUBE, PE 58MM2.0IDX580FT	1
1a	59900896	TUBE, PE 63MM2.1IDX400FT (210)	1
2	03019160	SUPRA CLAMP 59MM-63MM	1

Drive Train Group



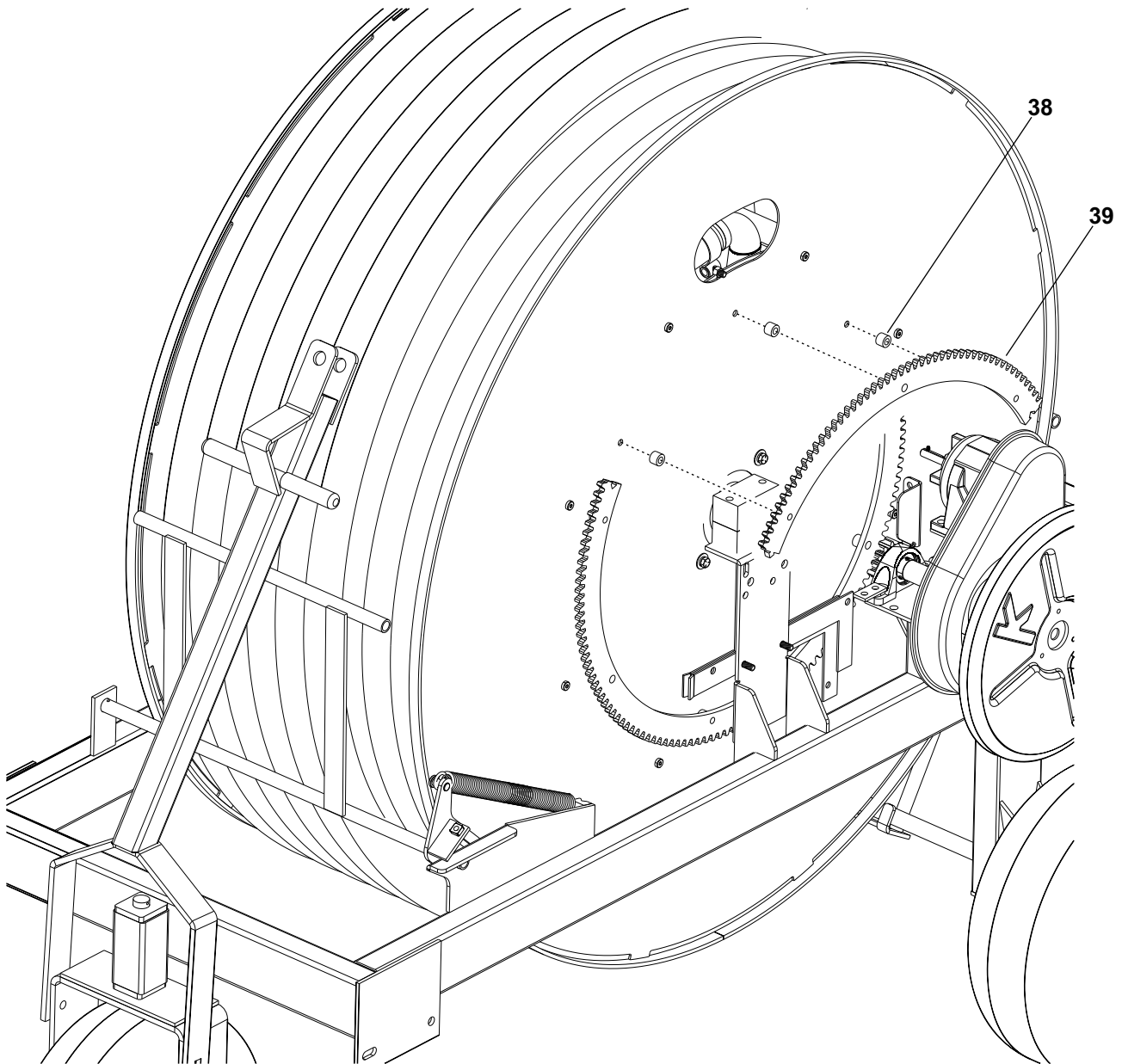
Item	Part Number	Description	Qty
1	50402651	IDLER ASM, 2L BELT-WRT4C/5C PL	1
2	50500050	SLEEVE, IDLER	2
3	50400800	IDLER, 2L BELT(TWO GROOVE) PLASTIC	1
4	50100260	SPRING, TENS 3/4 OD X .062W 3.5"L	1
5	50400941	BELT, 2L31	1
6	52660803	SCREW,SET CUP 10-24X1/4	1
7	50400780	PULLEY,2-1/2,3-1/4	1
8	50102590	KEY 1/8 SQ. X 1-1/4 RD END	1
9	50601100	PINION GEAR SHIELD T/E5/5	1
10	50304110	SHAFT ASM, PINION - WRT4C/5C	1
11	50600960	SPRING MT. PLATE,	1
12	50805970	BEARING,PLLW BLCK 1 INT CLR	2
13	50600410	GRIP, VINYL 1"X5-1/16" OAL BLACK	1
14	50008501	GEARBOX 50-1 B TURB. LARGE 2STAGE	1
15	58504460	KEY 3/16 X 1-1/4	1
16	52300750	CHAIN IDLER PLATE	1
17	51300290	CHAIN IDLER, DERLIN	1
18	50403320	PIN,SPRING 1/8" X 1-1/2 SS	1
19	50402350	PAWL, ANTI REVERSE - WRT4C/5C	1
20	50802950	CHAIN, #40 70 ROLLERS	1
21	56248871	SCREW,SET CUP 1/4-20X1/4	2
22	88049325	SPRKT,40B18 3/4 BORE	1

Drive Train Group cont.



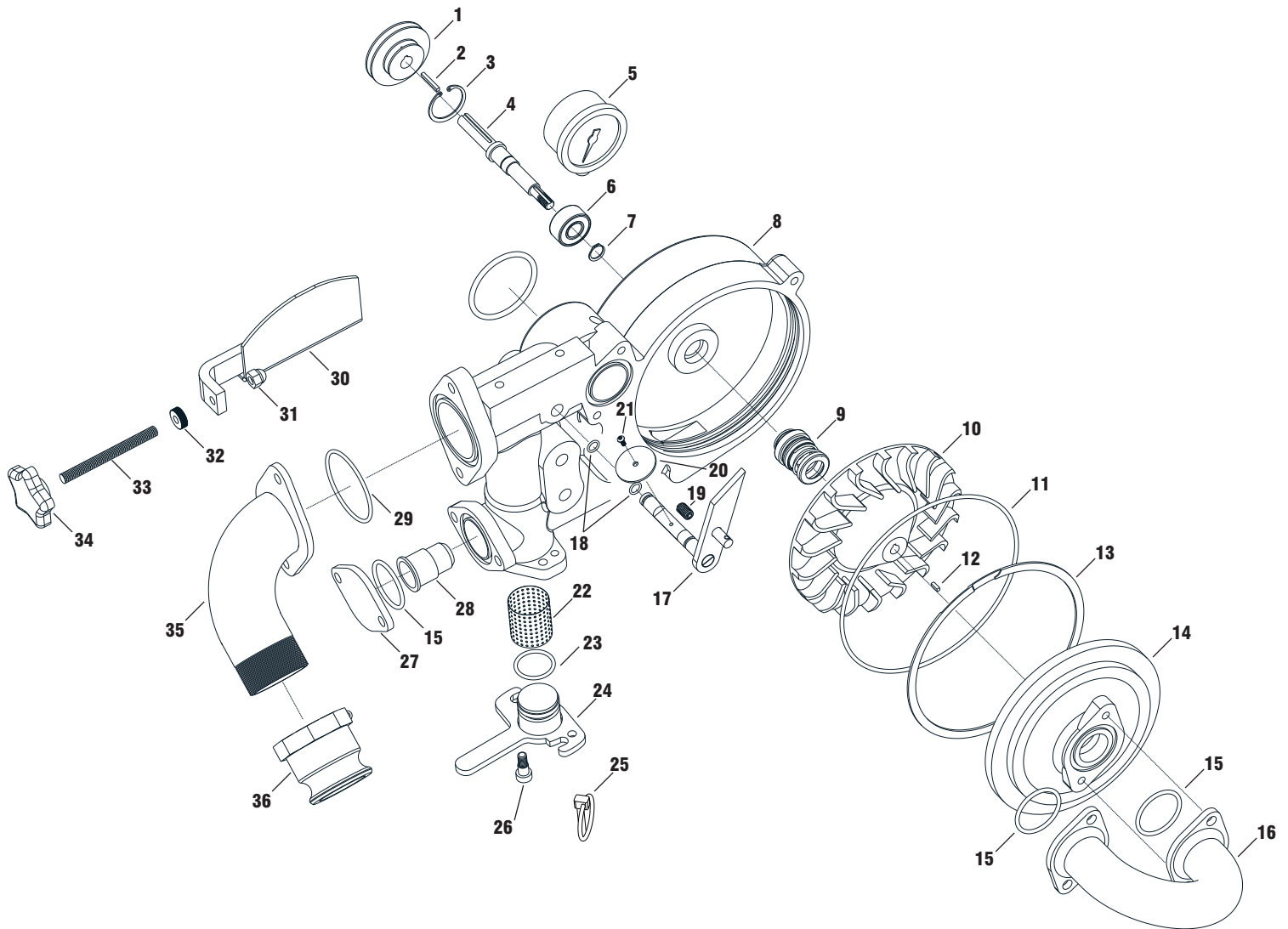
Item	Part Number	Description	Qty
23	50002160	SPROCKET ASM, CLUTCH-WRT3/4/5 & C	1
24	52000720	MOUNT, PLSTC HAND WHEEL PLTD	1
25	50200053	WHEEL, PE TUBE HAND WIND PLASTIC	1
26	30249150	KNOB,BALL 3/8-16 FEMALE THREADS	1
27	50006210	SPRING, COMP .50"ODX.90LNG.046	1
28	59801300	CLUTCH DOG PIN PL	1
29	58505911	PIN,SPRING 5/32 X 3/4	1
30	50003160	BRAKE DRUM, CLUTCH DOG	1
31	56316621	KEY 1/4 X 1/4 X 3/4	1
32	50006220	BRAKE BAND - WRT3/4/5, & 2G,4C/5C	1
33	50104140	PIN,BRAKE BAND RET. WRT	1
34	52000560	BRAKE TENSIONER T4/T5	1
35	50104331	SPRING, COMP. .075W X .5 OD X 5.0"	1

Drive Train Group cont.



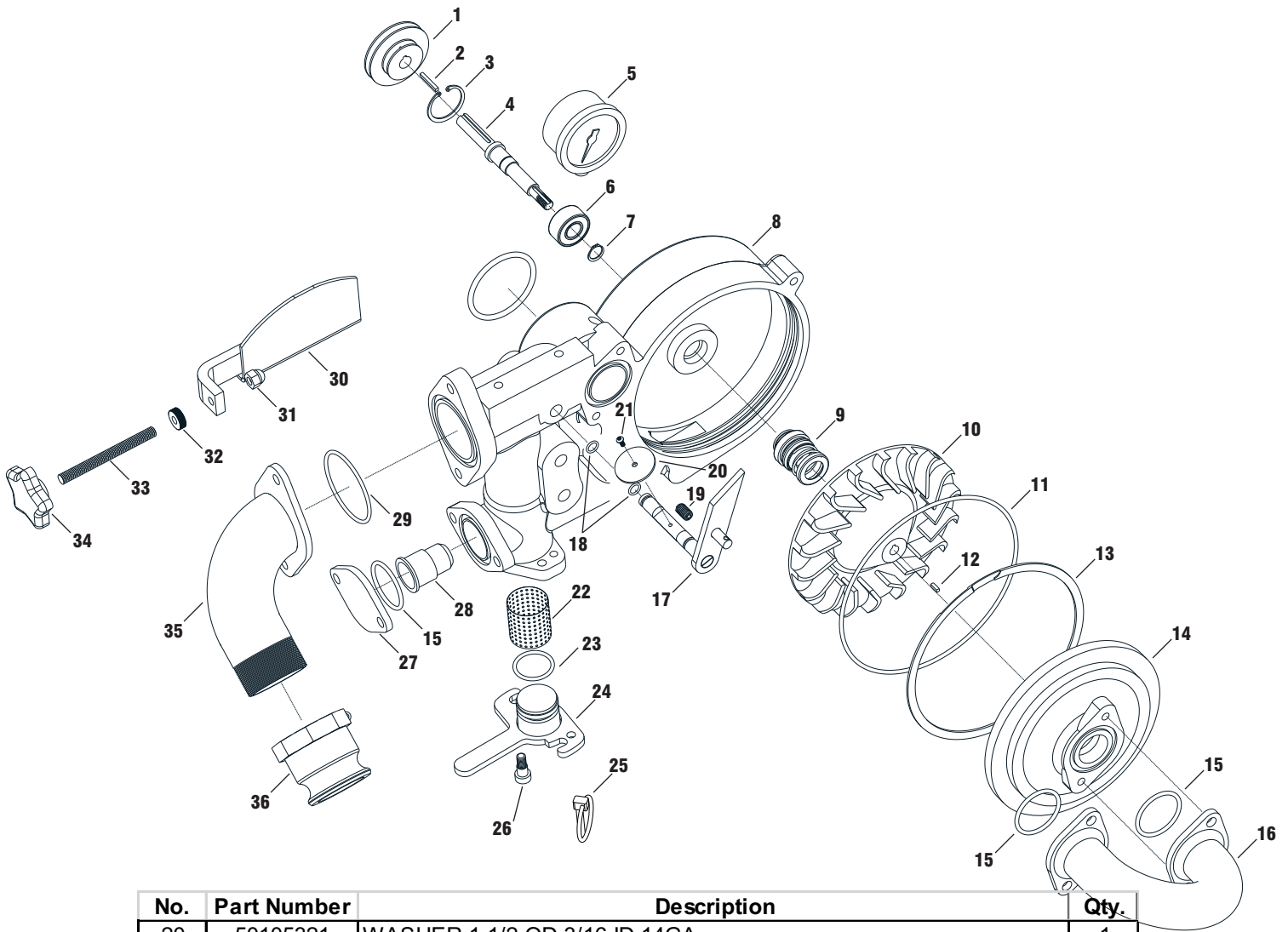
Item	Part Number	Description	Qty
38	52300780	GEAR STANDOFF, T5 SPOOL	9
39	50004871	GEAR SEGMENT, PE SPOOL - WRT4/5C	3

Turbine Group



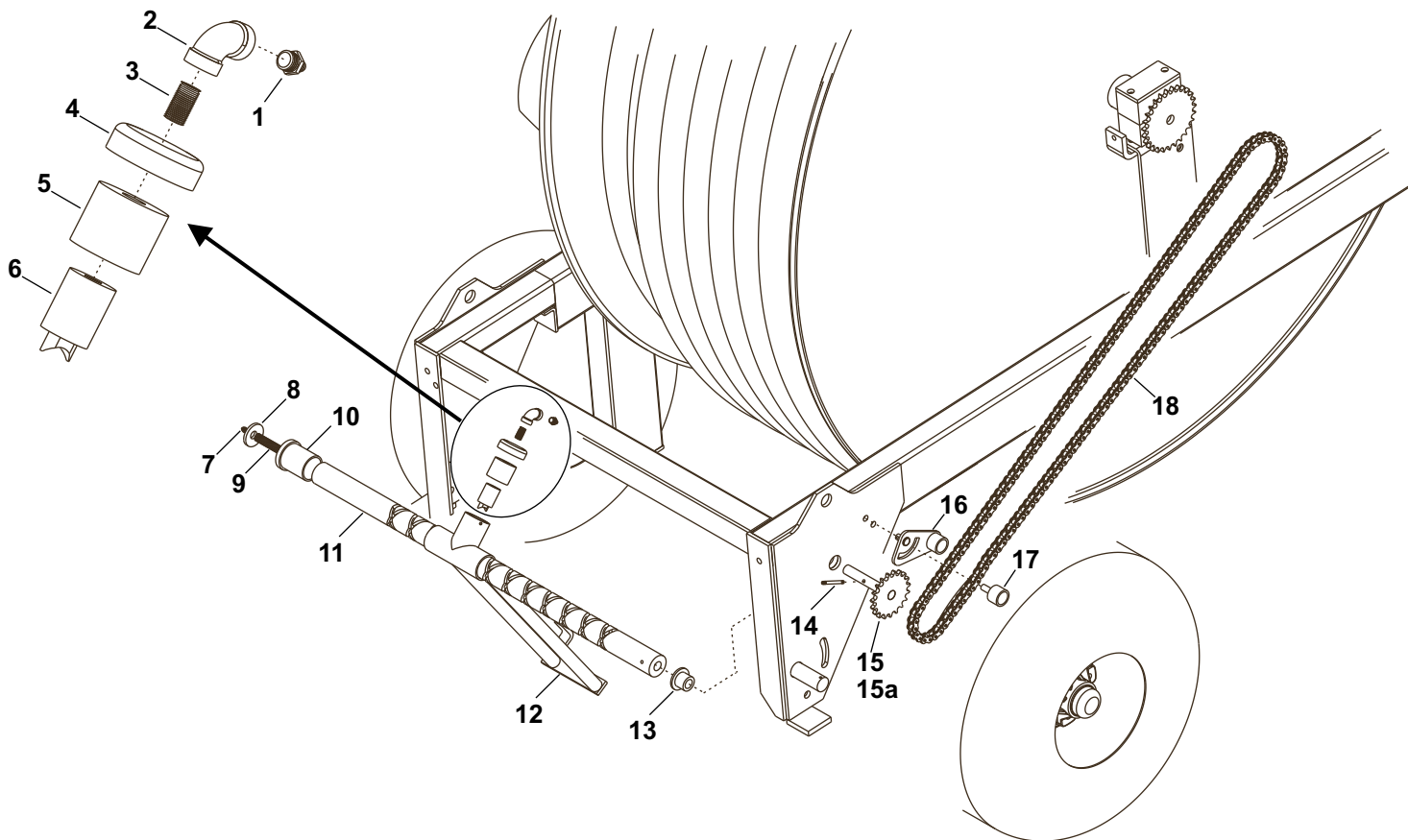
No.	Part Number	Description	Qty.
1	50400781	PULLEY, TWO STEP 1.5,2.5	1
2	56348741	KEY 1/8 X 1/8 X 1	1
3	50008720	INTR RETAINING RNG 1.526 FREE OD	1
4	50008210	SHAFT, RUNNER TURB. B-MACHINE	1
5	58606740	GAUGE, PRESS 0-160	1
6	50008900	BEARING,BALL 5202 2RS	1
7	50008710	RETAINING RING EX .55 FREE ID	1
8	50500011	TURBINE MANIFOLD C SERIES (MACHINED)	1
9	46549131	SEAL,MECH 1/2"ID O-RING SEAT	1
10	50001292	RUNNER, TURBINE B-SERIES (PLASTIC)	1
11	50002550	O-RING 7.234 ID X .139	1
12	50201660	KEY, 1/8 SQ X 3/8" LONG SQ END	1
13	50006250	RING, INT.SS RETAINING MEDIUM 7.25"	1
14	50001131	COVER, TURBINE -B-SERIES (MACHINED)	1
15	50008840	O-RING, 1-5/8 ID X .139 CS	3
16	50304200	TUBE ASM, DISCHARGE - WRT4C/5C	1
17	50304350	SHAFT ASM, BYPASS - WRT4C/5C	1
18	50008170	O-RING, .364 ID .070 CS X -.012	2
19	56248531	SCREW,SET CUP 3/8-16X5/8	1

Turbine Group cont.



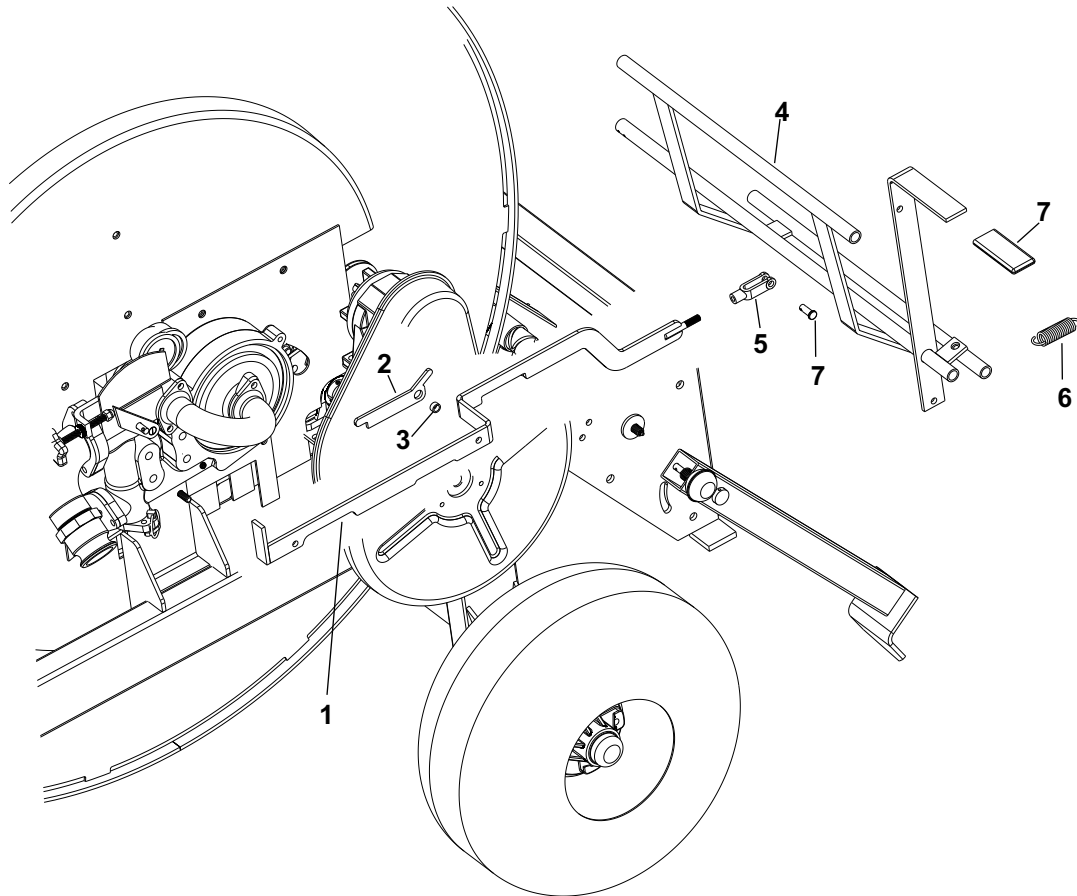
No.	Part Number	Description	Qty.
20	50105321	WASHER, 1-1/2 OD 3/16 ID 14GA.	1
21	50403900	SCREW SS BUTTON HEAD 6-32 X 3/8" AL	1
22	50304380	SCREEN, TURBINE MANIFOLD-WRT4/5C	1
23	50500390	O-RING, 1-1/4 X 1-1/2 X 1/8"	1
24	50500090	FILTER CAP	1
25	50501010	LINCH PIN 1/4 1-9/16 BENEATH HEAD	1
26	50500410	SHOULDER BOLT 3/8" LONG DIA, 3/8SS	1
27	50500112	CAP, FLANG NO HOLE 2.8 BCD	1
28	50308641	NOZZLE, 9/16" TURB INLET-WRT4/5C	1
29	50500400	O-RING, 2-5/8 X 2-7/8 X 1/8"	1
30	50402710	SPEED CONTROL WRT4/5C	1
31	58609771	NUT, ACORN 3/8 SOLID SPEC	1
32	50403280	NUT, KNURLED LOCKNUT 3/8-16	1
33	50403140	STUD 3/8"-16 THREAD, 4" LENGTH	1
34	50403130	KNOB, STAR 3/8-16 THREADED INSERT	1
35	50500100	INLET ELBOW	1
36	58608031	CAMLOCK, F MA2 X 2MNPT	1

Level Wind Group



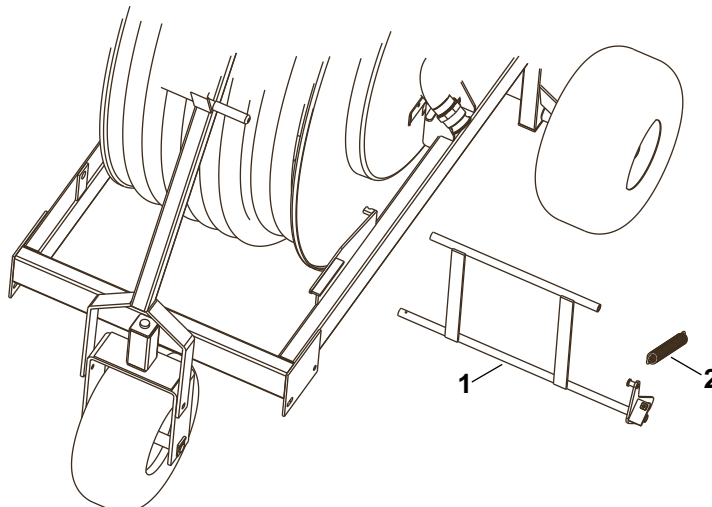
Item	Part Number	Description	Qty
1	53848441	ZERK,STRAIGHT 1/8NPT	1
2	52540345	ELBW,COMM GALV 1/8X90	1
3	52508981	NPPL,CLOSE BR 1/8	1
4	50303680	CAP, BLACK MOCAP 1.75" X 0.5" FE	1
5	50303350	SLEEVE,LEVELWIND KNIFE (UHMW)	1
6	50302320	KNIFE, LEVELWIND - WRB2C/3C/T4C/5C	1
7	53817440	ZERK,STRAIGHT1/4-28X17/32	1
8	50405220	WASHER, CUPPED PL	1
9	50500700	STUD, LEVELWIND GREASING	1
10	50501080	SLEEVE, LEVELWIND -WRT4C/5C	1
11	50303384	SCREW,STEEL LVLWIND-WRB3/T4/T5C 5/8"	1
12	50303661	FORK ASM, LEVELWIND - WRT4/5C PCGY	1
13	50302412	BSHNG,FLANGE .625IDX1X1.5 (UHMW)	1
14	50406100	STUD, LEVELWIND SHEAR - WRB2/3/4/5C	1
15	50405263	SHAFT ASM, LEVELWIND 19T - (200)	1
15a	50405262	SHAFT ASM, LEVELWIND 17T - (210)	1
16	50405820	IDLER, WRT4/5C LEVELWIND CHAIN PL	1
17	50405830	IDLER,BOLT WRT4/5C LEVELWIND PL	1
18	50405910	CHAIN, #40 166 ROLLERS	1

Shut Down Group



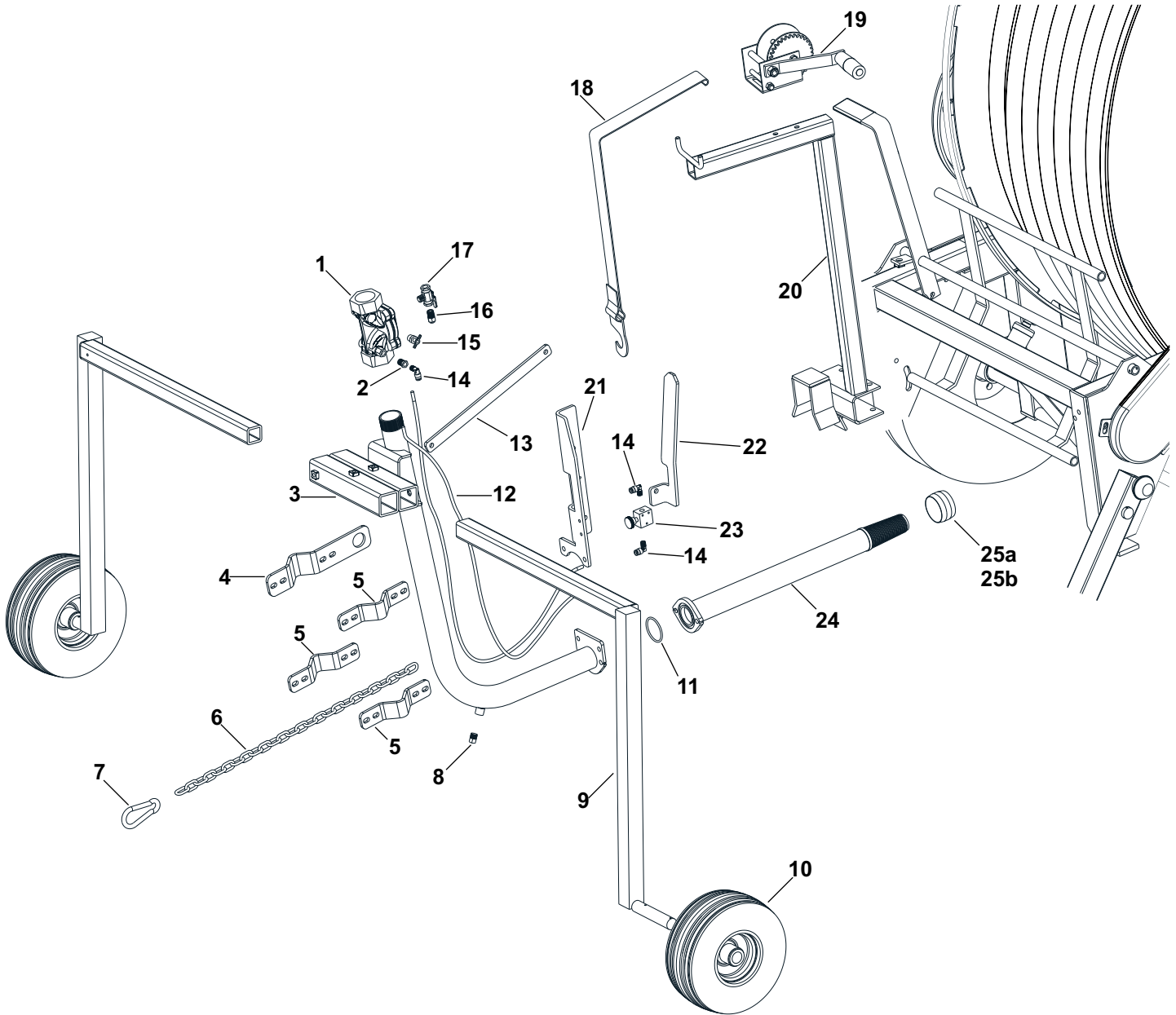
Item	Part Number	Description	Qty
1	50402680	LINK ASM, SHUT OFF - WRT5C PCGY	1
2	50400980	HOLD OUT STOP WRT4/5C	1
3	51248470	BUSH,STL .56X.40X.28L	1
4	50402120	SHUT OFF BAR WRT4/5C PCGY	1
5	50401940	YOKE END, 3/8-24 THREAD	1
6	45048583	SPRING TNSN 7/8X3.62X5/8	1
7	55848560	PIN,CLEVIS 3/8 X 1	1
8	50403160	CAP, BLACK MOCAP 1-1/2"X1/4"X4.0"	1

Tube Rider



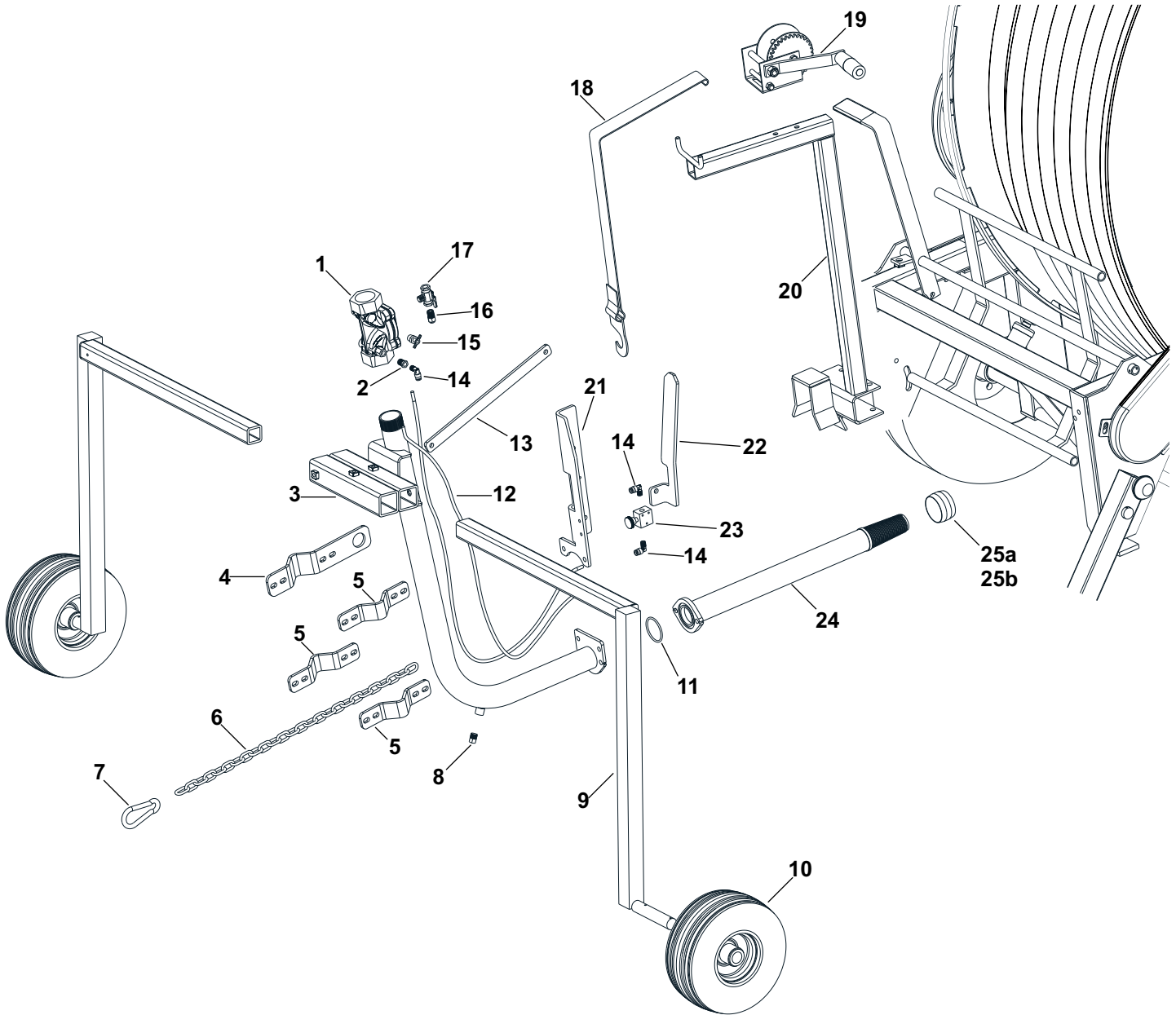
Item	Part Number	Description	Qty
1	50303983	TUBE RIDER ASM - WRT4C/5C PCGY	1
2	50308800	SPRING, TEN 10"X1.25OD	1

Gun Cart Group



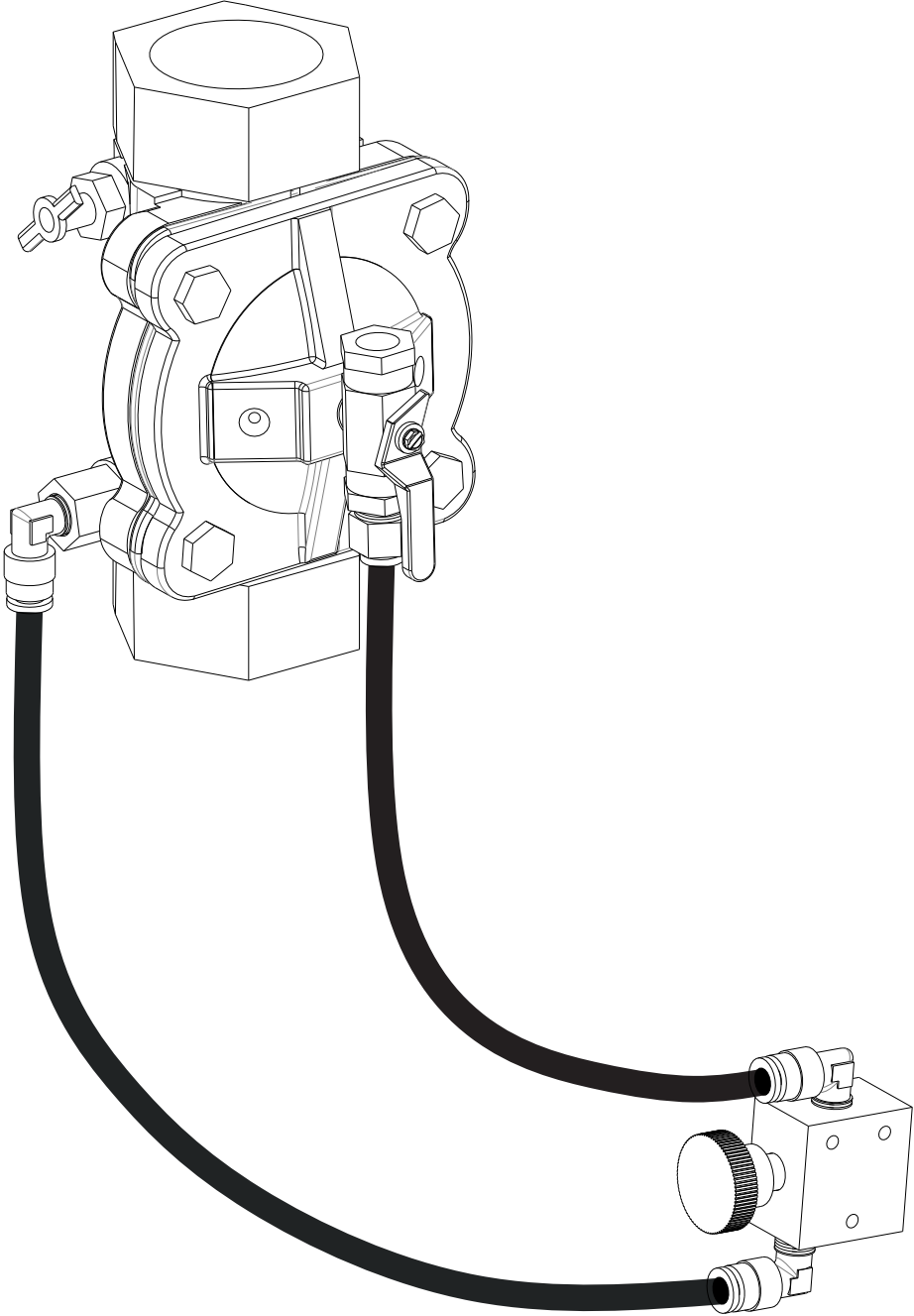
Item	Part Number	Description	Qty
1	50406610	VALVE, DIAPHRAGM 1-1/2" NPT	1
2	52547842	BSHNG, RDCNG BR 1/4X1/8	1
3	52300010	GUN CART BODY, T4 T5 T6	1
4	52300060	CART HANGER, GUN CART T4-T5	1
5	52300040	BRKT, PULL TAB, GUN CART T4-T6	3
6	85040590	CHAIN,3/16PROOF COIL PLTP	4 ft.
7	52101010	LINK, SPRING SNAP 3/8"	1
8	52502621	PLUG, BR 1/4	1
9	58609994	LEG ASM, HIGH GUNCART	2
10	58608110	WHEEL&TIRE,4:1X3:5X4 1B2P	2
11	50006790	O-RING 1.984" ID X .139 #226	1
12	25249390	TUBE,SYNFLEX 1/4	(2) 4.5 Ft.
13	52300050	BRACE, GUN CART T4-T5	1

Gun Cart Group Cont.

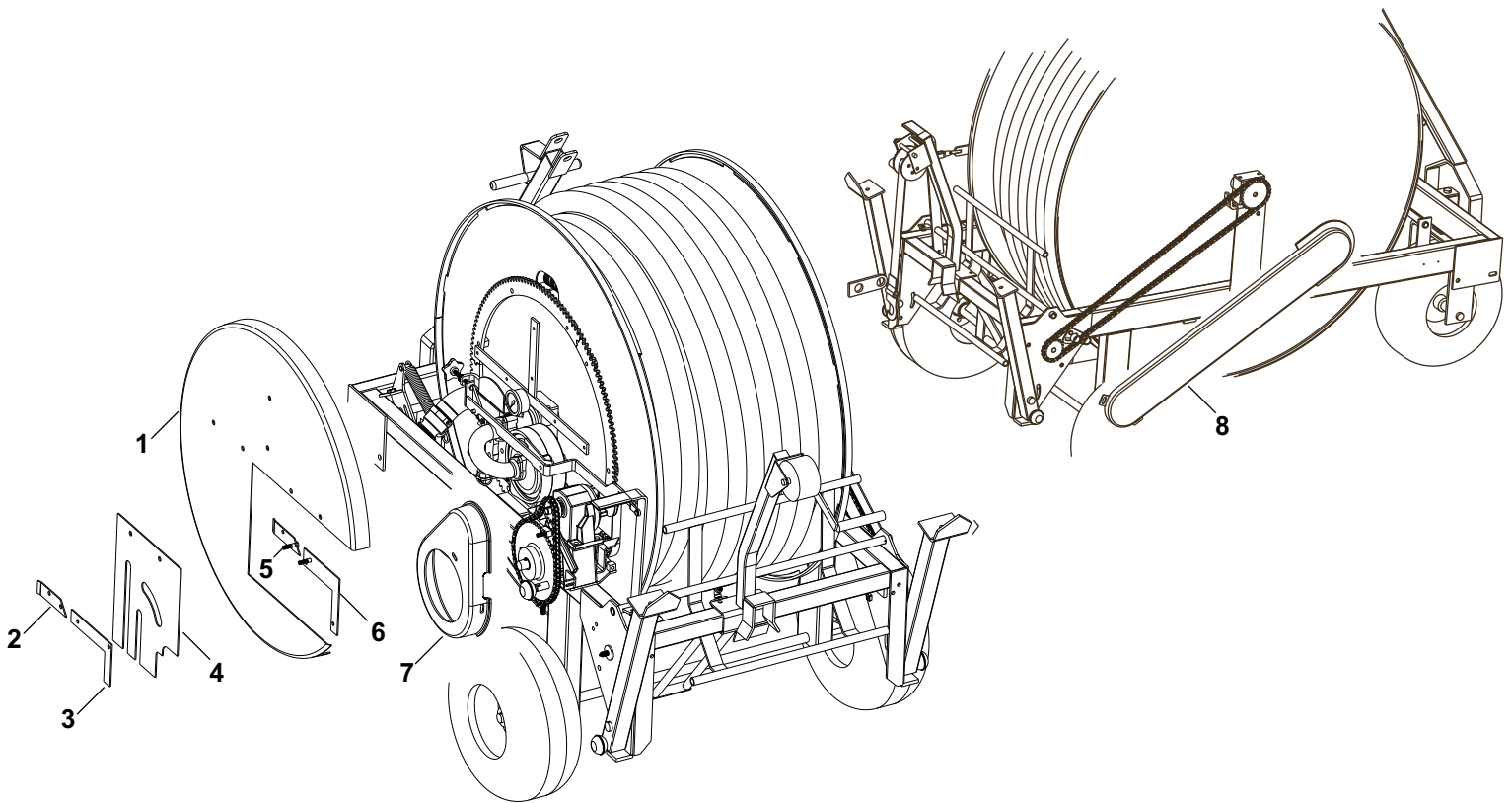


Item	Part Number	Description	Qty
14	52549150	FTG,TB 90 1/8MNPTX1/4TUBE	3
15	52532160	COCK,DRAIN BR 1/4	1
16	52549172	FTG,TB ST 1/4MNPTX1/4TUBE	1
17	50501160	VALVE, 3 WAY 1/4"	1
18	50402630	STRAP ASM, CART LIFT - WRT4C/5C	1
19	40048553	WINCH,FULTON T-900	1
20	50601360	BOOM T/E4-5 MACHINES	1
21	52300030	SHUT DOWN BRKT, GUN CART T4-T6	1
22	50308301	BUMPER, CART SHUT OFF -T4/5C	1
23	42548450	VALVE,MA33 NKL-ALM SPOOL	1
24	50400421	TUBE END ASM, 200/210 WRT4/5	1
25a	59100614	MENDER OUTER 2.0 PLATED (T200 2.0 hose)	1
25b	50007890	MENDER OUTER 2.1 PLATED (T210 2.1 hose)	1

Gun Cart Valve Plumbing Circuit

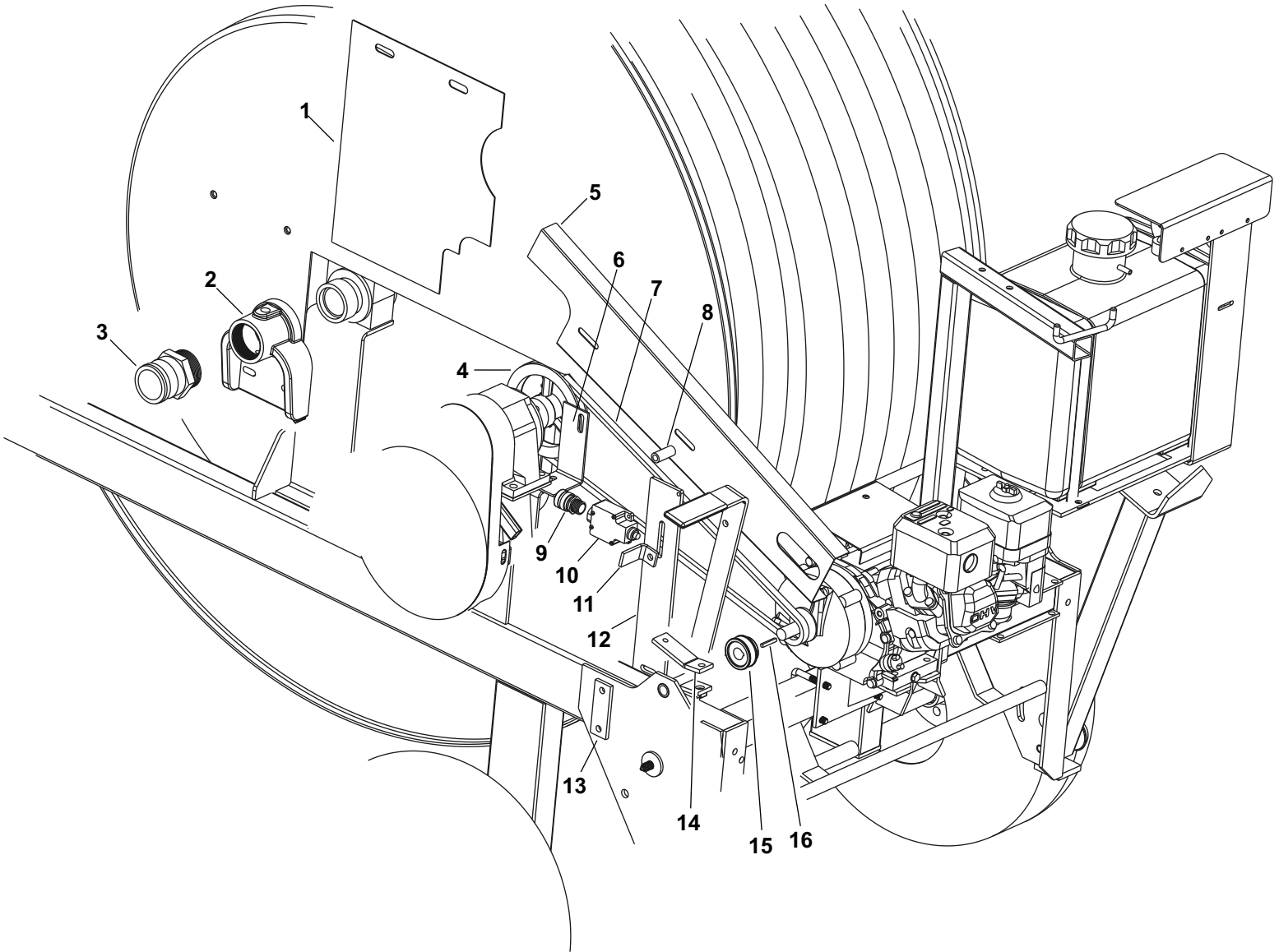


Guard Group



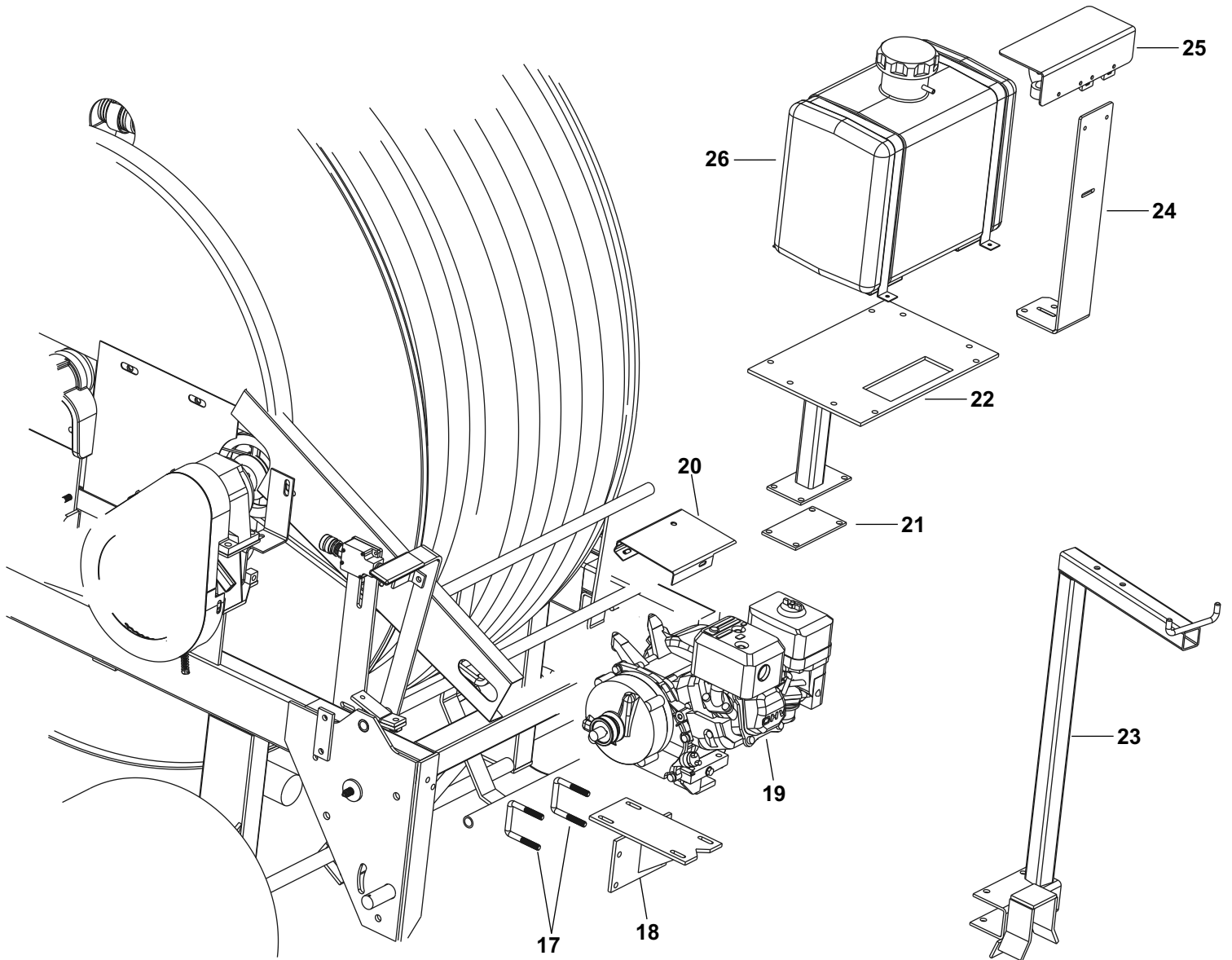
Item	Part Number	Description	Qty
1	50601300	GUARD,UPPER RING GEAR TURBINE/ENGINE	1
2	50601020	SHIELD GUIDE REAR T/E4/5 PCGY	1
3	50601041	SHIELD BRKT FRONT T/E4-5 PCGY	1
4	50601310	GUARD,LOWER RING GEAR TURBINE	1
5	50601030	SHIELD GUIDE PCGY	1
6	50601061	SHIELD BRKT FRONT T/E4-5, PCGY	1
7	52001470	GUARD, DRIVE TRAIN PLASTIC T4,T5,T6	1
8	50308981	GUARD ASM, LEVELWIND CHAIN - WRT5C	1

Enginge Drive Group



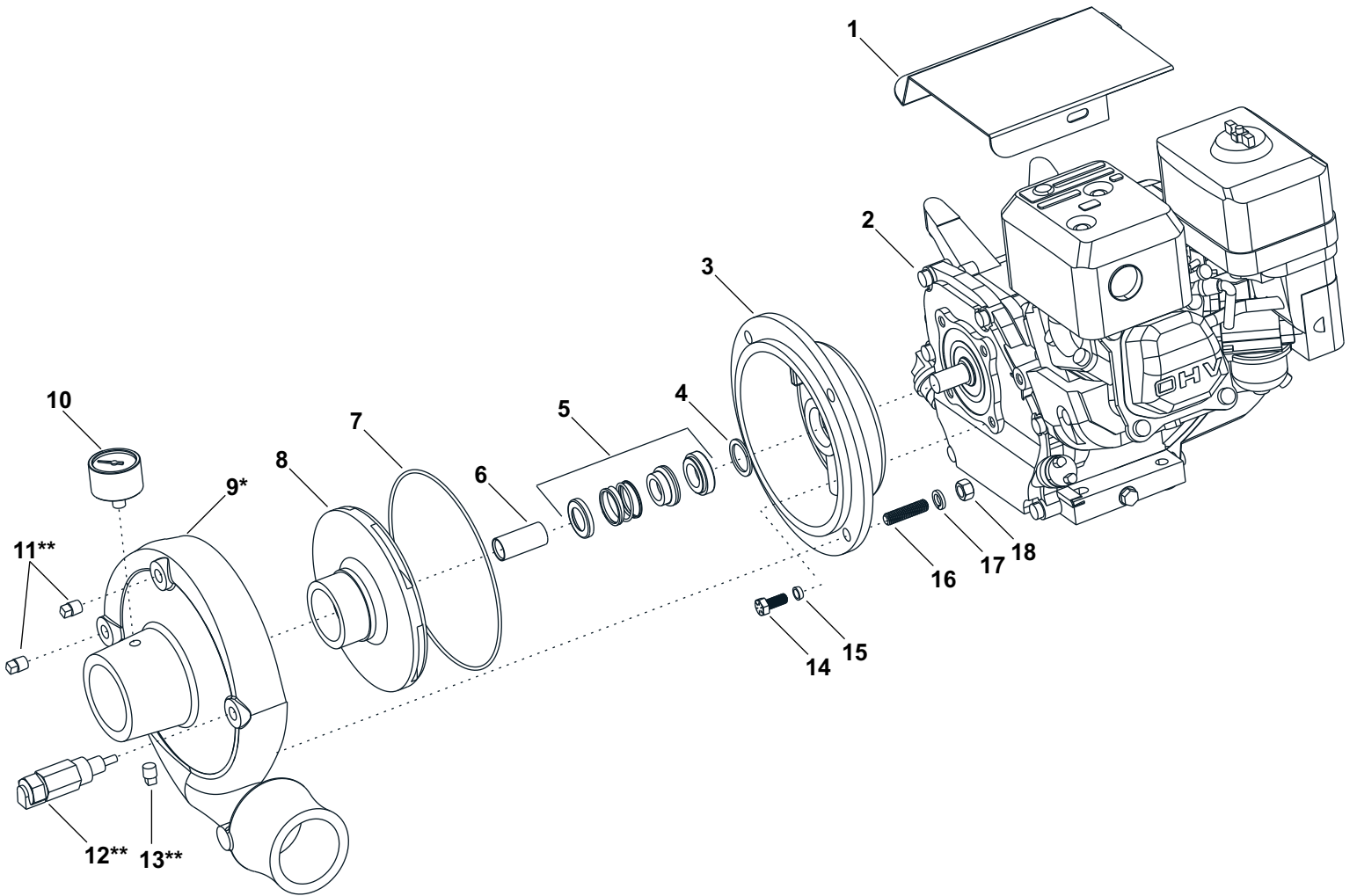
Item	Part Number	Description	Qty
1	50601311	GUARD,LWR RING GEAR ENGINE PCGY	1
2	50600950	ENTRY FITTING WRT/E4D	1
3	58608031	CMLK,F MA2X2MNPT	1
4	50206710	PULLEY, 6.0 OD X 1/2 BORE CAST	1
5	50601002	SHIELD, BELT WRE5 IRRIGATION PCGY	1
6	50601010	FRONT SHIELD MT. E4/5 PCGY	1
7	50603430	BELT AX 56	1
8	50601110	BUSHING, BELT GUARD MT. REAR, PCGY	1
9	52662170	GROMMET,CMPRSSN 1/2 NPT	1
10	52662151	SWITCH 6 X 613	1
11	50600570	SWITCH STOP E4/5 PCGY	1
12	50600560	SWITCH MT. E4/5 PCGY	1
13	50601500	STRAP, CLAMP SHUT OFF ARM PCGY	1
14	50601280	SHUT OFF BAR STOP PCGY	1
15	59902931	PLLY, 2" X 3/4 BORE CAST WITH HUB	1
16	58504460	KEY 3/16 X 1-1/4	1

Engine Drive Group cont.



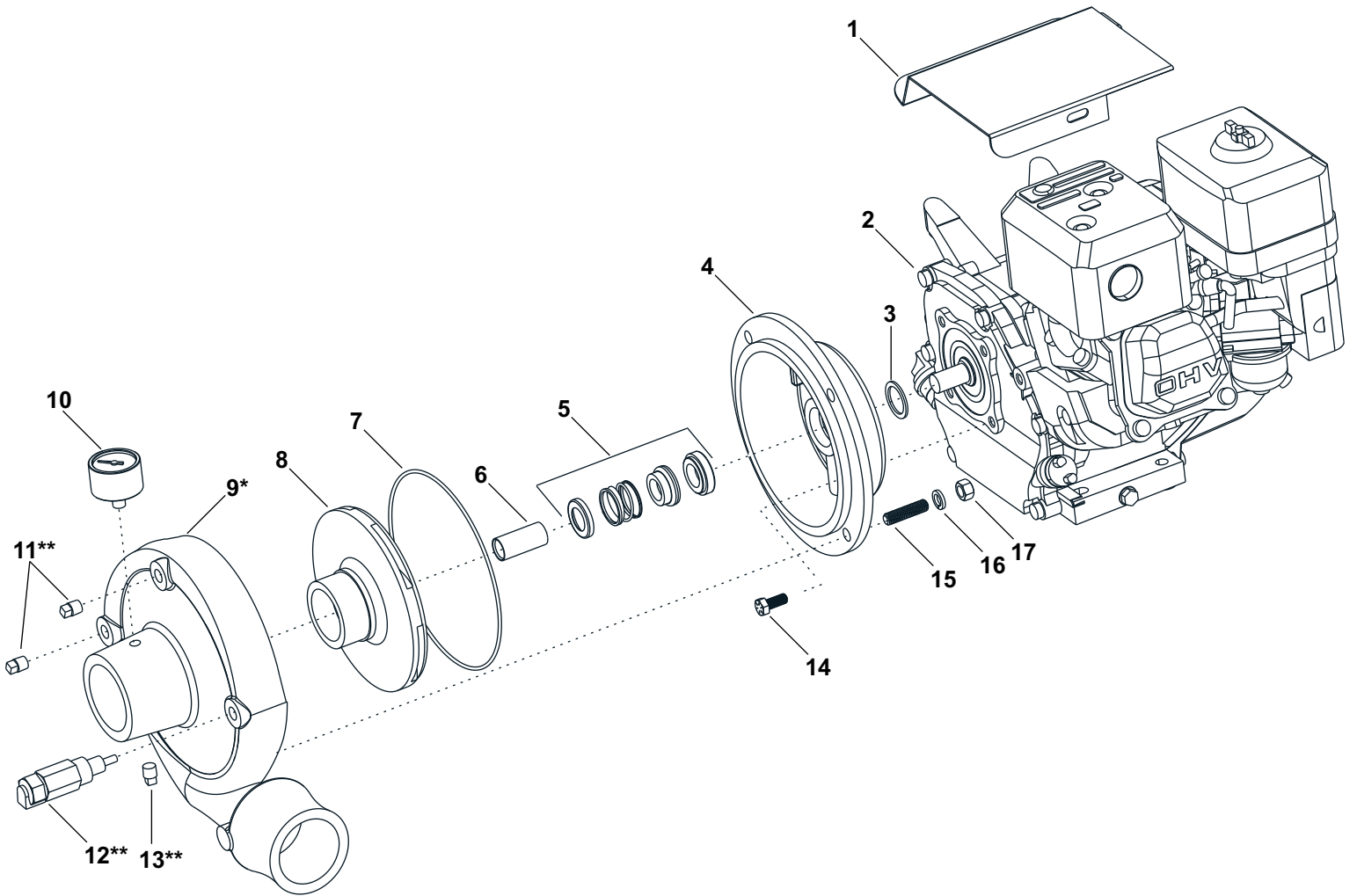
Item	Part Number	Description	Qty
17	58700401	BOLT,U SQ 3/8X2X2-5/8	2
18	50600230	ENGINE MT. E4/5 PCGY	1
19	50601670	ENGINE,HONDA 4HP KEYED SH 6-1 REDUCT	1
20	59701663	ENGINE COVER HONDA 4.0 PCGY	1
21	50600860	PLATE, TANK MT E4/5,	1
22	50600910	TANK,GAS MT. E4/5 PCGY	1
23	50601360	BOOM ENGINE DRIVE MACHINES PCGY	1
24	51300031	MOUNT CANISTER 6 GAL EPA, PCGY	1
25	51300051	SHIELD, CANISTER 6 GAL EPA, PCGY	1
26		Tank component parts list on page 21	

5.5 HP Booster Pump



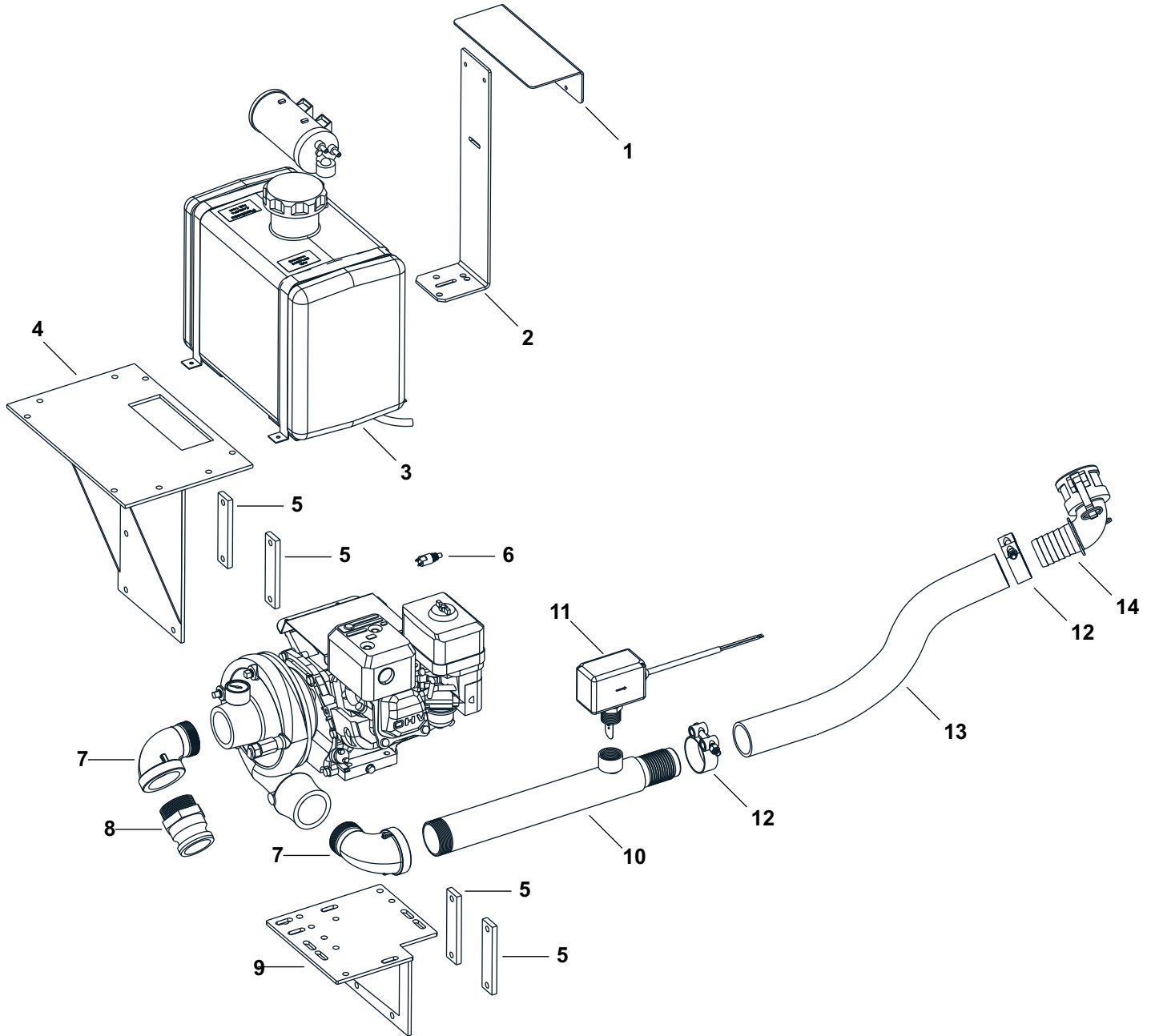
Item	Part Number	Description	Qty
1	59701661	ENGINE COVER HONDA6.5&5.5 , PCGY	1
2	59402560	ENG,HONDA 5.5 THREADED PUMP SHAFT	1
3	59402600	ADPTR	1
4	59402500	SLINGER 1-1/4X3/4X1-1/16 - 5.5HP	1
5	59402530	SEAL,MECHANICAL3/4"MNRCH	1
6	59504170	SLEEVE,3/4X1.6" 5.5HP	1
7	59402520	O-RING PARKER2-165 M PUMP	1
8	59504160	IMPELLER, 6.1X5/8 5.5HP	1
9*	59402570	CASING, 1-1/2&2X2 PUMP - (includes items 11,12 & 13)	1
10	58606742	GAUGE,PRESS 0-160REAR MT	1
11**	52502621	PLUG, BR 1/4	2
12**	59506690	VALVE,MODIFIED 1/4"THERMO	1
13**	52538671	PLUG, BR 1/8	1
14		Bolt, 5/16"X3/4" UNF	4
15	59600010	LOCK SEAL WASHER 5/16"ID (PKG OF 4)	1
16		STUD, 3/8UNC X 1-1/2"	4
17		WASHER, LOCK 3/8"	4
18		NUT, 3/8" UNC	4
NOT SHOWN	58504050	BSHNG,RDCNG GLV 2X1-1/2	1

9 HP Booster Pump



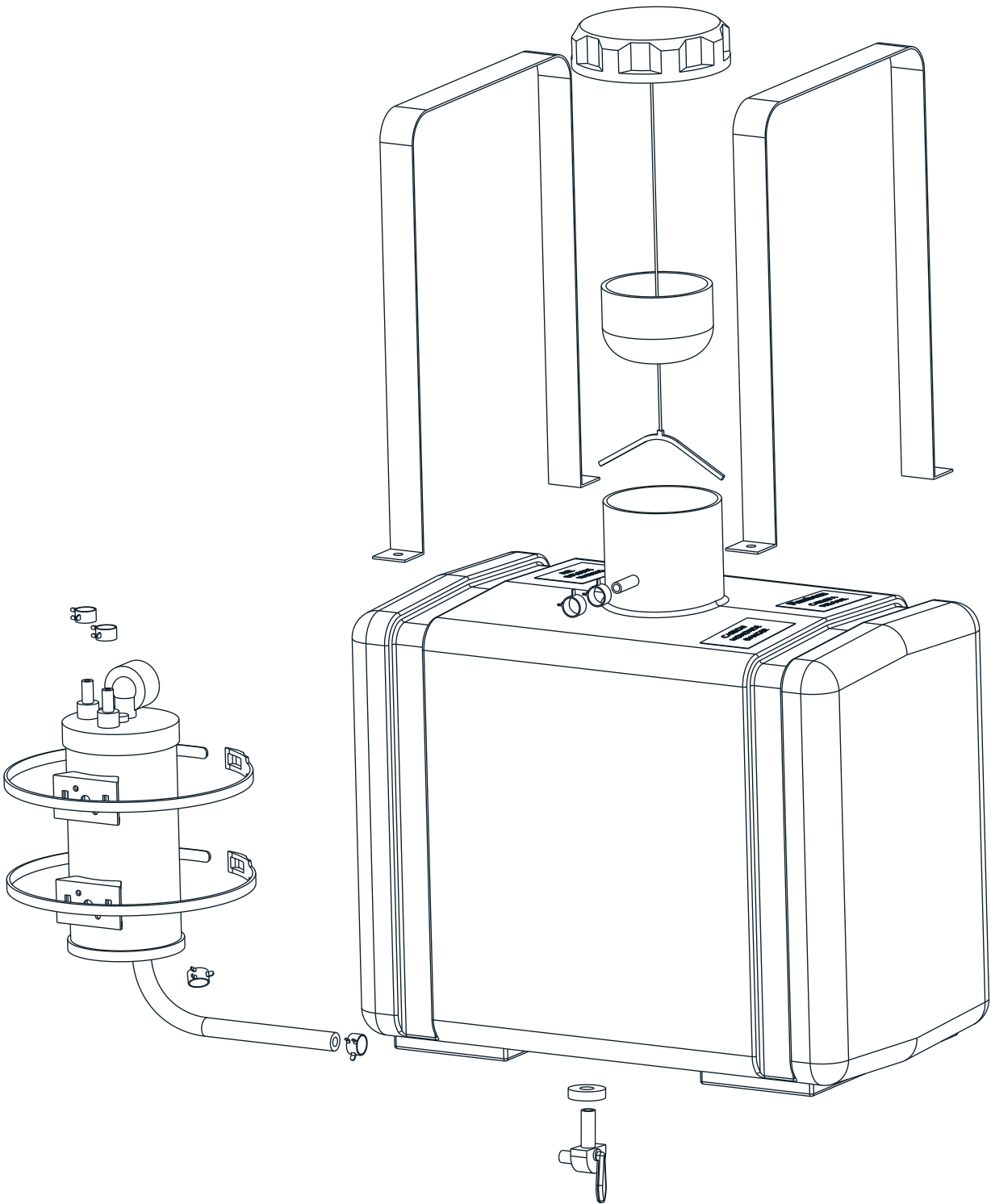
Item	Part Number	Description	Qty
1	59701660	ENGINE COVER 9 HP HONDA PCGY	1
2	50702190	ENGINE, HONDA 9HP W/PUMP SHAFT	1
3	59402501	SLINGER, 8-1/2 AND 9 HP PUMPS	1
4	59402601	ADPTR, FOR 8.5 HP	1
5	59402531	SEAL,MECHANICAL 1-1/4"	1
6	59504171	SLEEVE,1-1/4 X 2.1" 8-1/2/9HP	1
7	59402520	O-RING PARKER2-165 M PUMP	1
8	59504161	IMPELLER, 6.4 X 1" 8.5HP	1
9*	59402570	CASING, 1-1/2&2X2 PUMP - (includes items 11, 12 & 13)	1
10	58606742	GAUGE,PRESS 0-160REAR MT	1
11**	52502621	PLUG, BR 1/4	2
12**	59506690	VALVE,MODIFIED 1/4" THERMO	1
13**	52538671	PLUG, BR 1/8	1
14		BOLT, 5/16"X3/4" UNF	4
15		STUD, 3/8UNC X 1-1/2"	4
16		WASHER, LOCK 3/8"	4
17		NUT, 3/8" UNC	4
NOT SHOWN	58504050	BSHNG,RDCNG GLV 2X1-1/2	1

Booster Pump Components



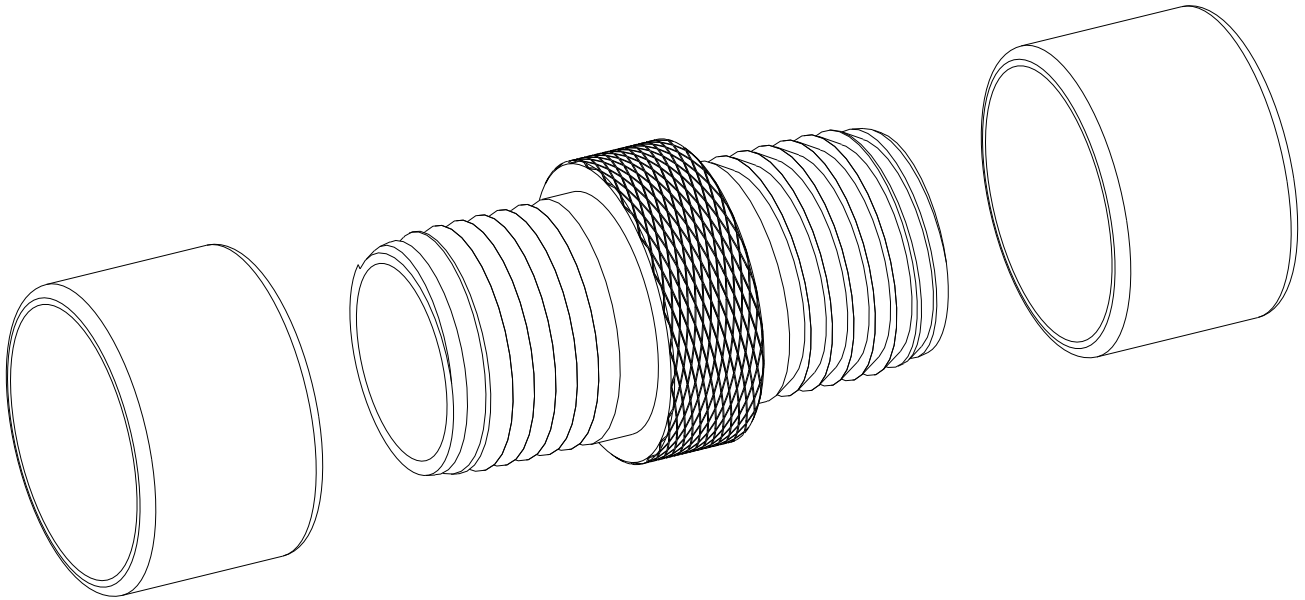
Item	Part Number	Description	Qty
1	51300051	SHIELD, CANISTER 6 GAL EPA, PCGY	1
2	51300031	MOUNT, CANISTER 6GAL EPA, UNCOATED	1
3		Tank component parts list on page 20	
4	50308190	TANK MT. B130C, WRB3C, WRT4/5C	1
5	50400390	STRAP, CLAMP BOOSTER, PCGY	4
6	59404231	SWITCH, OVERRIDE NRML CLSD	1
7	58408410	ELBW, STRT GLV 2X90DEG	2
8	58608031	CMLK, F MA2X2MNPT	1
9	50900130	BOOSTER PUMP ENG MT, 5/9HP C-SERIES	1
10	51601890	WRT4/5C FLOW SWITCH FITTING PL	1
11	51601950	DWYER FLOW SWITCH FS-2	1
12	03019160	SUPRA CLAMP 59MM-63MM	2
13	58401330	HOSE 2 ID 150 GY PLICORD	2-1/2 FT.
14	58608026	CL CAMLOCK 90 DEGREE 2.0	1
15	59903250	*NOT SHOWN* CONNECTOR Y 2FEMALE 1MALE	1

Fuel Tank & Components



Item	Part Number	Description	Qty
1	51201000	TANK, GAS 6 GALLON CARB/EPA KIT	1
ALL ITEMS SHOWN INCLUDED			

PE HOSE REPAIR MENDERS



2.0 Hose Mender - Part # 58502327

2.1 Hose Mender - Part # 58502331

Notes

Notes

