



Most Trusted Traveling Irrigation Systems  
Since 1964

**Kifco Model E140 Water-Reel®**



- **DC Electric Driven Water-Reel® with 1.4" ID x 350' MDPE Tube (Battery Not Included).**
- **Simple, reliable, portable irrigation for pastures, paddocks, riding arenas, sports fields, vegetables and residential settings**
- **Automatic shutoff allows for unattended operation**
- **Mechanical levelwind system with miswrap safety for uniform, reliable tube rewinding**
- **Rugged construction proven by over 40 years of production and over 35,000 Kifco Water-Reels® sold**
- **Industry leading products with service and distribution at over 200 authorized dealers**

**Applicable Markets**



Horse Arenas



Hobby Farms, Food Plots and Pastures



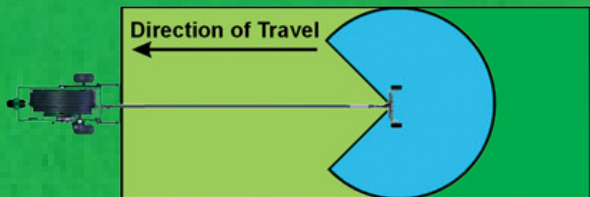
Residential Landscape, Gardens & Nurseries



Sports Fields

**Standard Features and Benefits**

- **The Kifco Model E140 uses a DC electric retraction motor and can operate as low as 25 psi and 13 gpm for up to 40 hours on a full charge (Battery required).**
- **Sprinkler selector valve easily allows for automatic sprinkler shutoff at the end of the run or continued operation**
- **Two large flotation tires make transport by hand or small garden tractor simple**



Easy Operation

**1 Year  
Manufacturer's Warranty  
5 Year  
Pro-Rated Tube Warranty  
Operator & Parts  
manuals available at  
[www.kifco.com](http://www.kifco.com)**

Local Parts & Service

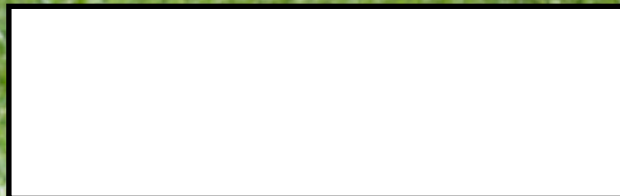


Engineered in the USA

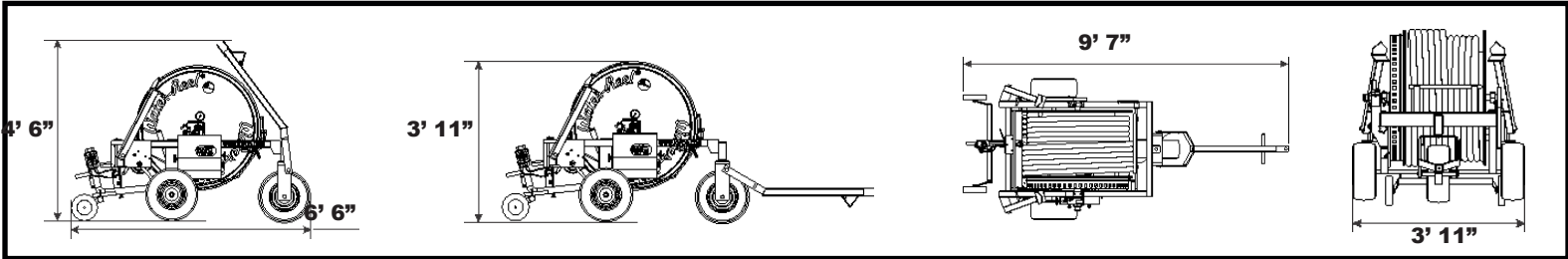
[www.kifco.com](http://www.kifco.com)



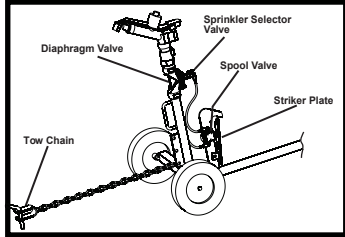
700 S. Schrader Ave.  
P.O. Box 290  
Havana, IL 62644  
800-452-7017 Toll Free  
309-543-4425 Phone  
309-543-4945 Fax



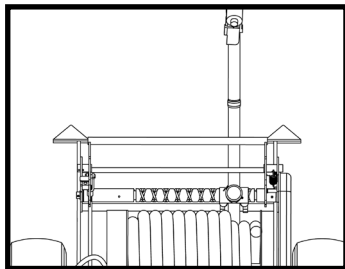
# E140 Dimensions - B3 Chassis



**Sprinkler Diagram**



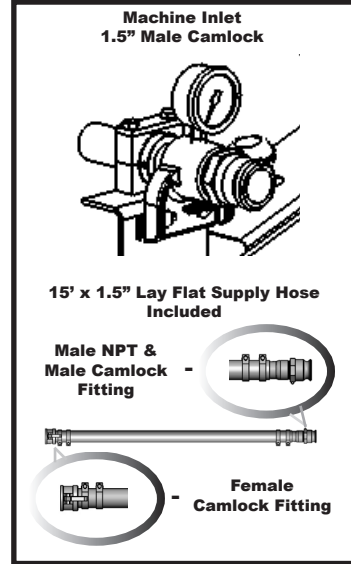
**Mechanical Levelwind System**



## Technical Specifications

<b>Tube Inner Diameter/Length</b>	<b>1.4" x 350'</b>
<b>Irrigated Width</b>	<b>82' - 189'</b>
<b>Irrigated Length</b>	<b>391' - 444'</b>
<b>Irrigated Area Per Run (Acres)</b>	<b>0.4 - 2.0</b>
<b>Drive System</b>	<b>DC Electric Motor</b>
<b>GPM Range</b>	<b>13 - 80</b>
<b>Inlet PSI Range</b>	<b>25 - 145</b>
<b>Hours Per Full Run</b>	<b>2.1 - 11.7</b>
<b>Retraction Speed</b>	<b>30 - 170 ft/hr</b>
<b>Dry Weight (lbs)</b>	<b>556</b>
<b>Weight With Water (lbs)</b>	<b>801</b>
<b>Inlet Diameter</b>	<b>1.5" Male Camlock</b>
<b>Supply Hose</b>	<b>15' 1.5" Male x Female Camlock</b>
<b>Options</b>	
<b>Solar Panel Kit</b>	<b>Eliminates the need for AC charge</b>
<b>Booster Pump</b>	<b>5.5Hp Gas, 9Hp Gas</b>
<b>Primary Pump</b>	<b>5.5Hp Gas, 9Hp Gas</b>
<b>Guncart Tire Upgrade</b>	<b>Added stability in rough terrain</b>

**Standard Connection**



## Sprinkler Performance

Sprinkler Model	Nozzle Dia.	Inlet PSI	(Q) GPM	Width (ft.) (80%)	Length (ft.) (80%)	Wetted Dia. (ft.)	Application Rate (in.)
<b>Sime Hidra</b>	10mm	43	28	94	397	118	0.17 - 0.95
	10mm	77	33	118	409	148	0.16 - 0.89
	12mm	56	40	105	402	131	0.22 - 1.23
	12mm	110	56	142	421	177	0.22 - 1.27
	14mm	73	52	110	405	138	0.27 - 1.51
	14mm	142	73	152	426	190	0.27 - 1.54
	16mm	96	65	115	408	144	0.32 - 1.81
	16mm	142	80	137	418	171	0.33 - 1.88

Sprinkler Model	Nozzle Dia.	Inlet PSI	(Q) GPM	Width (ft.) (80%)	Length (ft.) (80%)	Wetted Dia. (ft.)	Application Rate (in.)
<b>Sime K1</b>	8mm	25	13	82	391	102	0.09 - 0.51
	8mm	33	15	90	395	112	0.09 - 0.54
	8mm	50	18	100	400	125	0.10 - 0.58
	8mm	66	21	108	404	135	0.11 - 0.62
	10mm	58	28	108	404	135	0.15 - 0.83
	10mm	74	30	115	408	144	0.15 - 0.84
	12mm	48	33	100	400	125	0.19 - 1.06
	12mm	96	47	123	412	154	0.22 - 1.23

Sprinkler Model	Nozzle Dia.	Inlet PSI	(Q) GPM	Width (ft.) (80%)	Length (ft.) (80%)	Wetted Dia. (ft.)	Application Rate (in.)
<b>Nelson SR75</b>	.40"	53	27	119	410	149	0.13 - 0.73
	.40"	106	39	146	423	182	0.15 - 0.86
	.45"	53	32	123	412	154	0.15 - 0.83
	.45"	120	49	166	433	207	0.17 - 0.95
	.50"	62	40	131	416	164	0.17 - 0.98
	.50"	140	61	178	439	222	0.19 - 1.10
	.55"	75	49	138	419	172	0.20 - 1.14
	.55"	145	69	177	438	221	0.22 - 1.25

Sprinkler Model	Nozzle Dia.	Inlet PSI	(Q) GPM	Width (ft.) (80%)	Length (ft.) (80%)	Wetted Dia. (ft.)	Application Rate (in.)
<b>Komet Twin Max</b>	.39"	34	22	108	404	135	0.12 - 0.65
	.39"	147	47	194	447	243	0.14 - 0.78
	.43"	45	29	125	412	156	.013 - 0.75
	.43"	147	54	197	448	246	0.16 - 0.88
	.47"	51	35	130	415	162	0.15 - 0.87
	.47"	149	61	198	449	248	0.17 - 0.99
	.51"	49	37	125	412	156	0.17 - 0.95
	.51"	133	63	188	444	235	0.19 - 1.08
	.55"	56	43	130	415	163	0.19 - 1.06
	.55"	142	70	189	444	236	0.21 - 1.19

The E140 Water-Reel runs on a standard 12v deep cycle battery (not included).